

WBLT567SLC Spare parts price list Service code: WBLT567SLC2405

Note vulnerable properties : Refers to the degree of wear and tear in the day-to-day operation of the correct use of this part which according to guide customers reasonable reserves. A for wear and tear very easily, B for wear and tear is easy while C for wear and tear is not easy, and we suggest having basic inventory. We suggest that you still need to have basic inventory of C

subassembly code	Name	Name_English	machine breakdown	parts list
1	WBLT567SLC	Handle and controls	1	Handle and controls
2	WBLT567SLC	Mowing part	2	Mowing part
3	WBLT567SLC	Rear axle	3	Rear axle
4	WBLT567SLC	Chassis	4	Chassis
5	WBLT567SLC	Axle	5	Axle

1 Part1 Handle and controls Spare parts price list					
ID No	Part number	Name_English	Quantity	Remarks	Consumable grade
1	1371000340	Clutch handle	1		
2	1371000744	Upper handle	1		
3	GM56E010000081	Handle sheath	1	Consumable parts	C
4	76G506000	Handle wear sleeve	4	Consumable parts	A
5	1371000040	Blade disc handle	1		
6	0108006035	Screw - M6*35	1		
7	0202006000	Lock nut - M6	5		
8	1371001002	Spring for Location-limited Plate	1		
9	1371001149	Location-limited Plate	1		
10	4510511010/01	Cable hook	1		
11	0301006000	Flat washer - φ6	5		
12	5360506011	Bolt	1		
13	0301005000	Flat washer - φ5	2		
14	0202005000	Lock nut - M5	1		
15	5380508010	Speed regulating grip	1		
16	0106003013	Screw - ST2.9*13	2		
17	13710012	Speed regulating bracket	1		
18	0108006060	Screw - M6*60	2		
19	5380510010	Throttle grip	1		
20	5380512010	Throttle bracket	1		
21	0108006045	Screw - M6*45	1		
22	0104005012	Screw - M5*12	1		
23	0106005018B	Screw - M5*18	1		
24	KL01-LC1P70	Air Filter Base	1		
25	13710015	Cover	1		
26	KL02-LC1P70	Air filter screen	1		
27	KL04-LC1P70	Air Filter Sponge	1	Consumable parts	B
28	KL05-LC1P70	Cable Upper Cover	1		
29	5020501040S	Speed regulating Box Lower Co	1		
30	0113040018	Screw - PT4*18	4		
31	13710016	Speed regulating cable	1	Consumable parts	A
32	13710002	Blade disc cable	1	Consumable parts	A
33	13710024	Clutch cable	1	Consumable parts	A
34	13710021	Throttle cable	1	Consumable parts	A
35	GM56A100400000	Quick release handle	2	Consumable parts	B
36	0801008025	Pin - 8x25	2	Consumable parts	B
37	4510114030	Fix Cap	2	Consumable parts	B
38	GM56A100000030/02	Connecting Bolt	2	Consumable parts	B
39	GM56A100000040/04	Spacer	2	Consumable parts	B
40	GM56A100000050/02	Spacer	4	Consumable parts	B
41	GM48S030200000	Outside Tooth Disc Kit	2	Consumable parts	B
45	13710023	Inner Tooth Disc Kit	2	Consumable parts	B
46	0203008000	Lock nut - M8	2		
47	1371001922	Lower handle	2		
48	0102008025	Bolt - M8*25	4		
49	0301008000	Flat washer - φ8	4		
50	0202008000	Lock nut - M8	4		

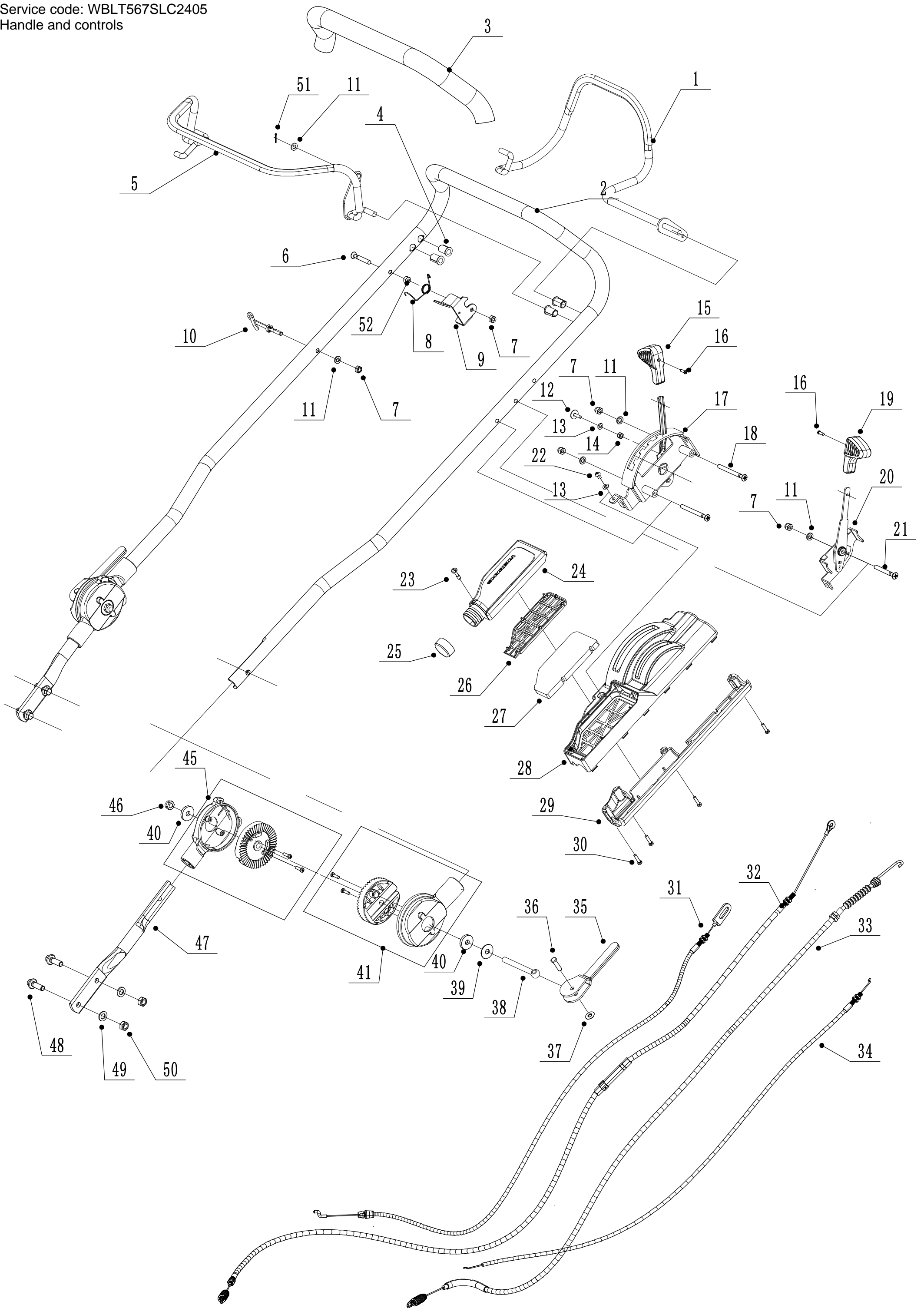
2		Part2 Mowing part Spare parts price list			
ID No	Part number	Name_English	Quantity	Remarks	Consumable grade
1	0101008020	Bolt - M8*20	1		
2	0401008000	Spring washer - φ8	1		
3	0302008000	Big washer - φ8	1		
4	1101005020	Key - 5*5*20	1		
5	1372003402	Pulley	1		
6	6203-2RS	Bearing	2	Consumable parts	B
7	1372000602	Shaft	1	Consumable parts	C
8	4820104011	Screw - M6*16	4		
9	0302006000	Big washer - φ6	6		
10	1372000702	Belt frame	1		
11	0102006040	Bolt - M6*40	2		
12	0102006016	Bolt - M6*16	4		
13	0102006030	Bolt - M6*30	2		
14	13720040	Bearing base	1		
15	0301006000	Flat washer - φ6	7		
16	0202006000	Lock nut - M6	10		
17	13720009	guard	1	Consumable parts	B
18	1372001040	Bumper	1	Consumable parts	C
19	0401006000	Spring washer - φ6	1		
20	0101006016	Bolt - M6*16	1		
21	13720015	Protective plate	1	Consumable parts	B
22	102005025	Bolt - M5*25	2		
23	1372001749	Connecting rod	1		
24	1372002004	Twine knife	1	Consumable parts	B
25	0301005000	Flat washer - φ5	2		
26	0202005000	Lock nut - M5	2		
27	1372002122	Upper protective bowl	1		
28	13720024	splint	8	Consumable parts	A
29	13720026	TRIMMER LINE	2	Consumable parts	A+
30	1372002722	Protecting cover	1	Consumable parts	A
31	1372000002	Spacer sleeve	1	Consumable parts	A
32	13720028	Dust ring	1	Consumable parts	A
33	0113040014	Screw - PT4*14	4		
34	1372002902	splint	1	Consumable parts	A
35	6202-2RS	Bearing	1	Consumable parts	A
36	13720030	Lower protective bowl	1	Consumable parts	A

3	Part3 Rear axle Spare parts price list				
ID No	Part number	Name_English	Quantity	Remarks	Consumable grade
1	YLT56A001A1	Transmission	1	Consumable parts	C
2	0202006000	Lock nut - M6	4		
3	0301006000	Flat washer - φ6	4		
4	KFL001	Bearing	2	Consumable parts	C
5	1373000502	Step bolt - M6*20	4		
6	06B0146B1	Chain	1	Consumable parts	B
7	0701004020	Pin - 4*20	1	Consumable parts	C
8	1373000602	Sprocket A	1	Consumable parts	C
9	0102008020	Bolt - M8*20	4		
10	0202008000	Lock nut - M8	4		
11	1373000022	Wheel bridge	1		

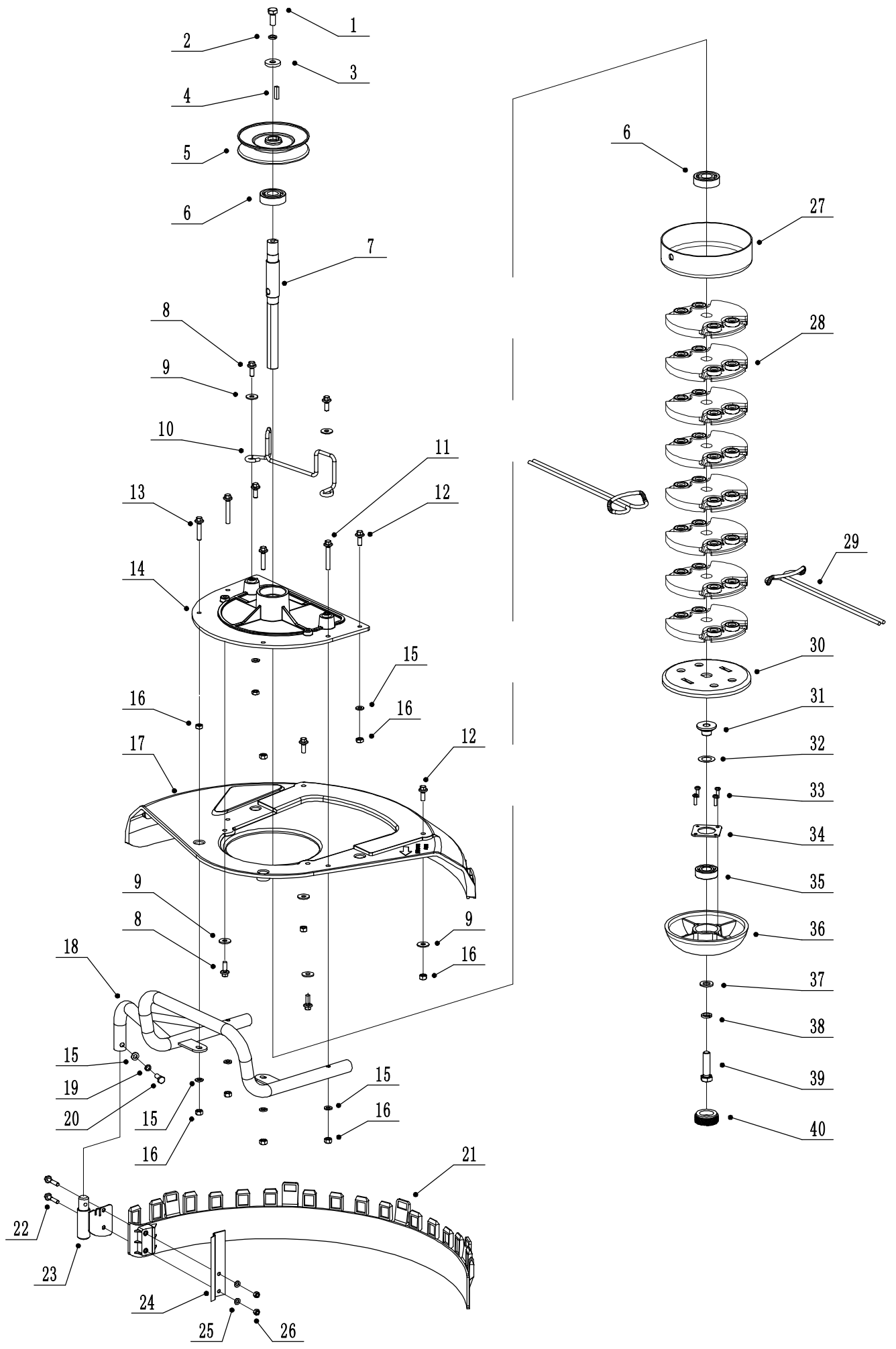
4 Part4 Chassis Spare parts price list					
ID No	Part number	Name_English	Quantity	Remarks	Consumable grade
1	LC1P70FC/L1030	Engine	1		
2	180020920-0001	Air filter	1		
3	KL03-LC1P70	Air filter tube	1		
4	1374000044	Chassis	1		
5	0102006016	Bolt - M6*16	2		
6	0102008020	Bolt - M8*20	2		
7	1374000102	Frame	1	Consumable parts	C
8	5320115010	Screw	4		
9	4510401010	Key	2		
10	1374003002	Engine big pulley	1		
11	1374001202	Engine small pulley	1		
12	5310414010/04	Spring	1		
13	5310415020	Central - 3/8-24*30	1		
14	1374001402	Tensioner spring	1	Consumable parts	B
15	1374001502	Cable bracket	1		
16	0301006000	Flat washer - φ6	4		
17	0202006000	Lock nut - M6	6		
18	1374001602	Flat washer	1		
19	1374001702	Tensioner fixing plate	1		
20	1374001902	Tensioner fixing sleeve	1		
21	0202008000	Lock nut - M8	1		
22	1374002002	Tensioner axle sleeve	2		
23	13740021	Tensioner pulley	1		
24	SW8012/04	Tensioner pulley	1		
25	6200-2RS	Bearing	2	Consumable parts	B
26	0901030000	Circlip - 30	2		
27	1374002202	Tensioner spacer sleeve	2		
28	1374002302	Tensioner plate	1		
29	13740024	Belt	1	Consumable parts	A
30	3L190K	Belt	2	Consumable parts	A
31	4820114010	Tensioner spring	1	Consumable parts	C
32	1374002502	Pulley mounting plate	1		
33	GM56A020000080/02	T-shaped sleeve	1		
34	GM56A020000090	Tensioner bolt	1		
35	GM56A020000030/02	Spacer sleeve 1	2		
36	61800-2RS	Bearing	4		
37	1001024000	Circlip - 24	2		
38	GM56A020000040/02	Pulley connecting sleeve	1		
39	GM56A020000060/02	Spacer sleeve 2	1		
40	GM56A020000010	Upper upper pulley piece	2		
41	GM56A020100030	Check ring	1		
42	13740002	Middle pulley piece	1		
43	GM56A020100020	Spring	1		
44	13740003	Middle lower pulley piece	1		
45	0202010000	Lock nut - M10	1		
46	4820104011	Screw - M6*15	6		
47	13740026	Baffle	1		
48	13740027	Lower shield	1		
49	1374002802	Hanging rod	1		
50	13740029	Hanging skin	1	Consumable parts	A

5 Part5 Axle Spare parts price list					
ID No	Part number	Name_English	Quantity	Remarks	Consumable grade
1	13750000	Wheel cap	2	Consumable parts	B
2	0202008000	Lock nut - M8	6		
3	0303008000/02	Big flat washer	2		
4	13750001	Wheel	2	Consumable parts	B
6	1001017000	Circlip - 17	2		
7	0301016000	Flat washer - φ16	2		
8	13750003	Plastic bearing	4		
9	0301008000	Flat washer - φ8	4		
10	KFL006	Bearing	2	Consumable parts	B
11	76EA12000A1/02	Step bolt - M8*25	4		
12	1001030000	Circlip - 30	2		
13	0202006000	Lock nut - M6	4		
14	1375000402	Sleeve B	1		
15	1375000802	Shaft B	1		
16	13750016	Pawl spring	4		
17	1375001702	Pawl	4		
18	1375001802	Pawl positioning plate	2		
19	1375001902	Pawl clamp plate	1		
20	1375002002	Sprocket B	1		
21	1375001102	Shaft A	1		
22	1375001302	Sleeve A	1		
23	0101006045	Bolt - M6*45	4		

Model: WBLT567SLC  
Service code: WBLT567SLC2405  
Handle and controls



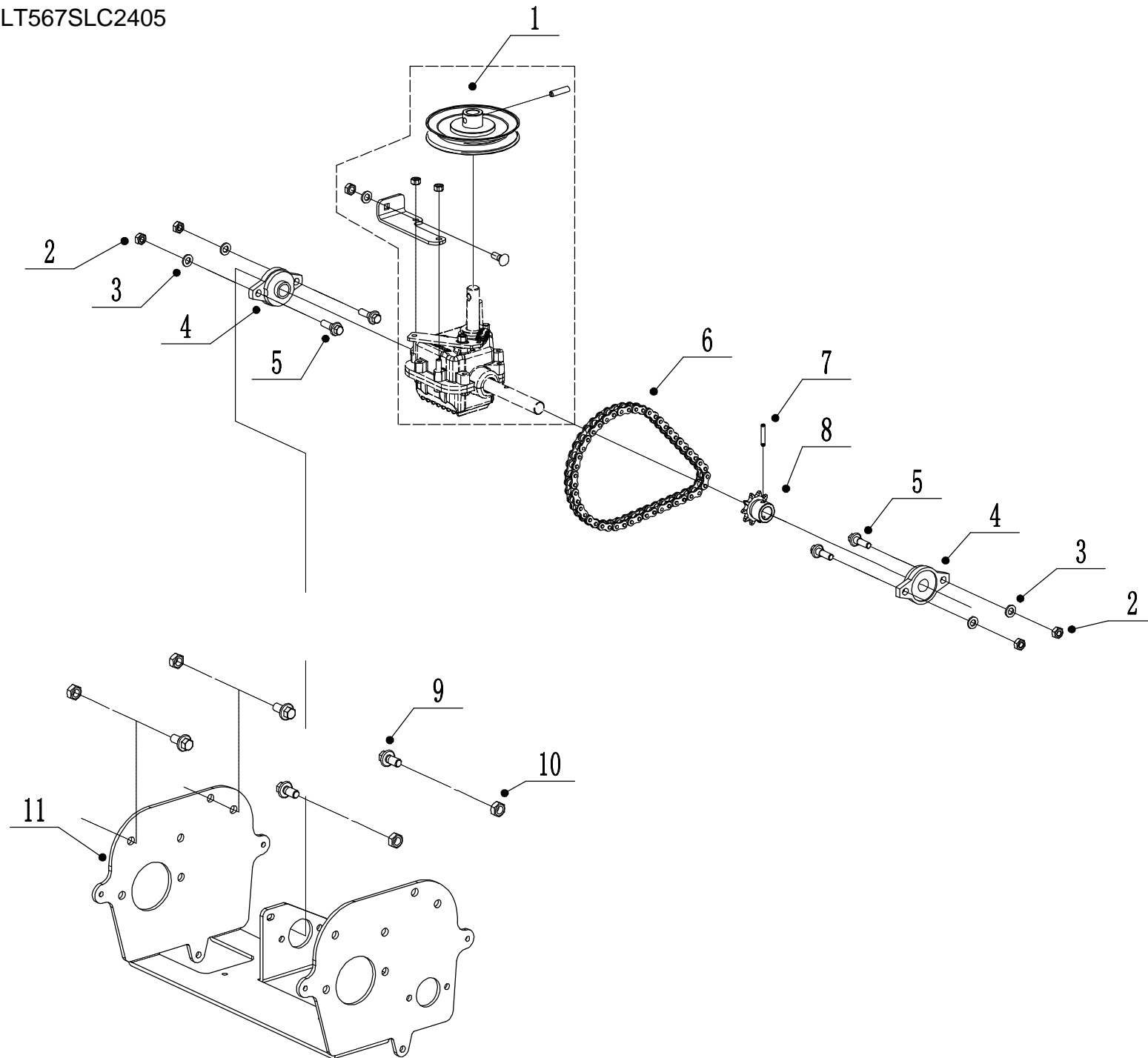
Model: WBLT567SLC  
Service code: WBLT567SLC2405  
Mowing part



Model: WBLT567SLC

Service code: WBLT567SLC2405

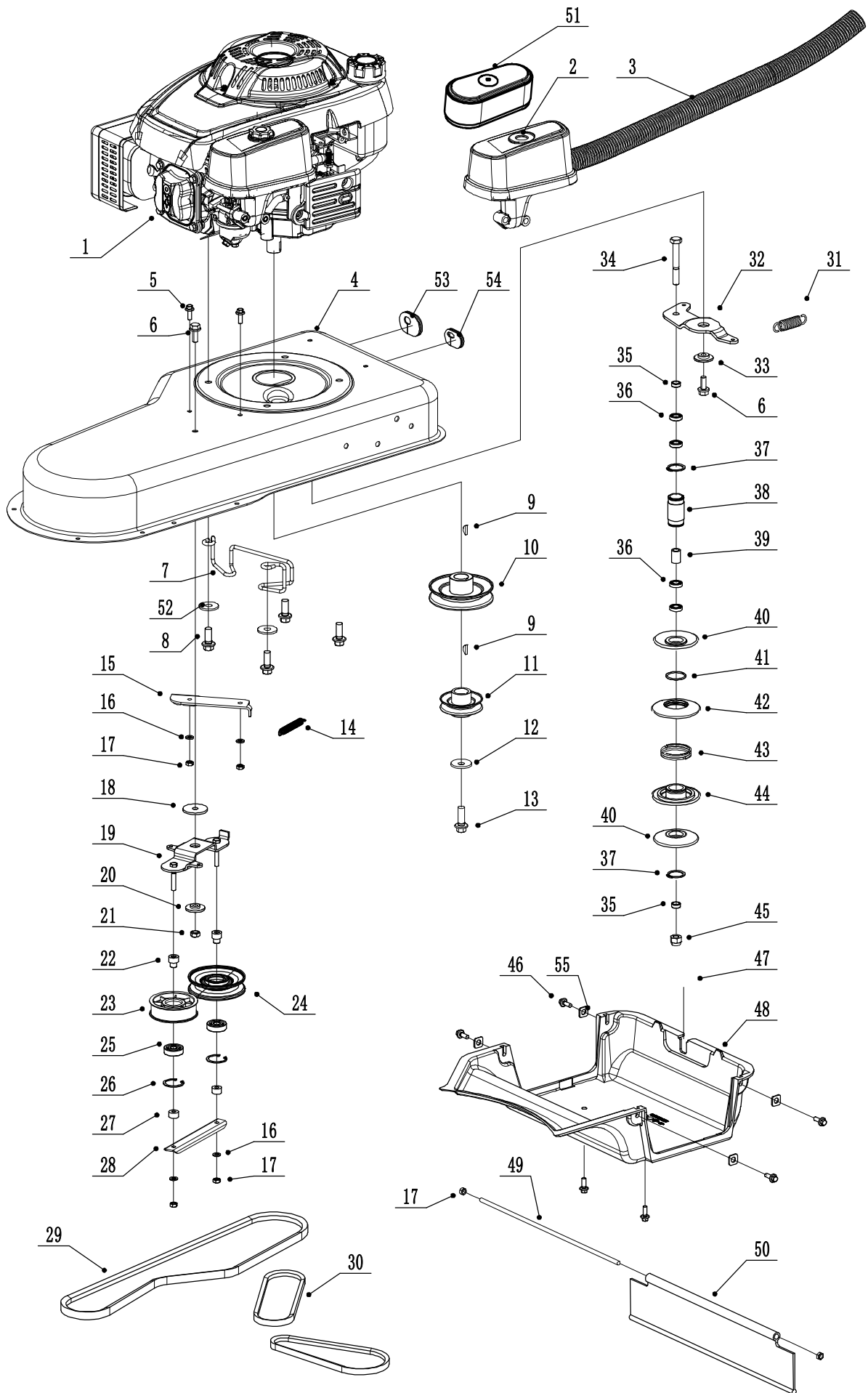
Rear axle



Model: WBLT567SLC

Service code: WBLT567SLC2506

Chassis



Model: WBLT567SLC  
Service code: WBLT567SLC2405  
Axle

