

WBGT6813-TE Spare Parts Price List Serive code:WBGT6813TE250102

Note vulnerable properties : Refers to the degree of wear and tear in the day-to-day operation of the correct use of this part which according to guide customers reasonable reserves. A for wear and tear very easily, B for wear and tear is easy while C for wear and tear is not easy, and we suggest having basic inventory. We suggest that you still need to have basic inventory of C

Subassembly Code	Name	Name_English	machine breakdown	parts list
1	WBGT6813-TE	Handle and controls	1	Handle and controls
2	WBGT6813-TE	Chassis	2	Chassis
3	WBGT6813-TE	Main body	3	Main body
4	WBGT6813-TE	Walking part	4	Walking part
5	WBGT6813-TE	Swing blade roller	5	Swing blade roller
6	WBGT6813-TE	Front wheel bracket	6	Front wheel bracket
7	WBGT6813-TE	Wiring loom	7	Wiring loom

Electrical schematic diagram

Order	Part number	Name_English	Quantity	Remark	Consumable grade
1	0102006016	Bolt - M6*16	6		
2	GT68WA19000/44	Big handle cover	1		
3	GT68WA17000B1	Swing blade clutch cable	1	Consumable Parts	A
4	34810001	Turn controlling switch	2	Consumable Parts	B
5	3481000201	Steering button pad	2		
6	0104006035	Screw - M6*35	4		
7	0301006000	Flat washer - φ6	10		
8	3481000301	Steering handle board	2		
9	0202005000	Lock nut - M5	2		
10	3481000602	Steering handle spring	2		
11	0202006000	Lock nut - M6	13		
12	GT68WA31000	VE shock absorber φ20*10 M6*16	1		
13	0501002016	Cotter pin - φ2*16	1		
14	0103006035	Bolt - M6*35	2		
15	3481000701	Speed control regulating pad	1		
16	34810008	Speed regulating switch	1		
17	3481000902	Speed regulating switch mounting base	1		
18	3481001102	Speed regulating handle base	1		
19	1301012000	Check ring - φ12	1		
20	0301016000	Flat washer - φ16	1		
21	GM56A060000080	Sliding bearing	1		
22	0101006055	Bolt - M6*55	1		
23	3481001502	Limit shaft	1		
24	34810018	Spring for speed regulating handle	1		
25	2101008030	Handle ball - M8	2		
26	3481001901	Speed regulating handle	1		
27	GT68WA32000B1/01	Blade clutch handle	1		
28	0202008000	Lock nut - M8	5		
29	0301008000	Flat washer - φ8	5		
30	GT68WA33000B1/01	Blade clutch lock block	1		
31	GT68WA28000	Lock nylon sleeve	1		
32	GT68WA34000/02	Blade clutch spring	1		
33	1001012000	Circlip - φ12	1		
34	6001-2RS	Bearing	2		
35	0901028000	Circlip - φ28	1		
36	3481002101	Blade clutch handle base	1		
37	0102008020	Bolt - M8*20	4		
38	34810023	EMERGENCY STOP	1		
39	34810066	Indicator light	1		
40	34810024	Central information screen	1		
41	34810025	key switch	1	Consumable Parts	B
42	3481002644	Control panel	1		
43	3481003244	Panel lower cover	1		
44	4SC5310010	Throttle cable	1	Consumable Parts	B
45	45A0323010	Big handle sheath	2		
46	3481003449	OPC lever	1		
47	3481003701	Button cap	1		
48	34810038	Return spring	1		
49	3481003901	Remote control switch lever	1		
50	3481004001	Rotary block pressing plate	1		
51	GT68WA36000	Nylon sleeve, link rod	2		
52	GT68WA44000/02	OPC return spring	1	Consumable Parts	A
53	3481004102	Linkage rod	1		
54	GT68WA39000/01	Fixing base, link rod	1		
55	3481004440	Switch button installation base	1		
56	Z61C0300	OPC switch	1	Consumable Parts	C
57	81QZY001	Seat switch	1		
58	BC45TD02000/01	Rotating plate for handle	2		
59	GT68WA12000	Height regulating cable	2	Consumable Parts	A
60	BC45TD21000/02	Spring	2	Consumable Parts	B
61	BC45TD22000/02	Cable core	2	Consumable Parts	B
62	3481004940	Big handle	1		
63	0101012170	Bolt - M12*170	1		
64	0301012000	Flat washer - φ12	2		
65	3481006144	Rotating seat	1		
66	0202012000	Lock nut - M12	1		
67	GT68WB29000/01	Rotation limit plate	1		
68	0304060000	Limit washer - φ60	1		
69	0219060000	Round nut - M60	1		
70	34810063	Beaing and screw	1	Consumable Parts	C
71	0104006050	Screw - M6*50	1		
72	GT68WA20000B1/01	Cable hook	1		
73	0101006012	Bolt - M6*12	5		
74	0104005016	Screw - M5*16	2		
75	SW100A01000004	handle sheath	1		

Order	Part number	Name_English	Quantity	Remark	Consumable grade
1	1601030030	Square tube plug 30*30	1		
2	GT68WB02000/40	Support rod	1		
3	3482011102	Pin - φ8 3*50	1	Consumable parts	C
4	GT68WB31000/44	Right protective plate	1		
5	0101008020	Bolt - M8*20	10		
6	0102006016	Bolt - M6*16	32		
7	0202006000	Lock nut - M6	12		
8	GT68WB05000/44	Front chain bol	2		
9	GT68WB28000	Hang chain	28		
10	GT68WB04000/44	Front chain mounting plat	2		
11	3482000144	Front chain extension plat	1		
12	GT68WB32000/44	Left protective plate	1		
13	GT68TB03000B1/44	Base plate of blade roll shiel	1		
14	GT68WB38000/22	Lower protective plat	1		
15	GT68WB10000/22	Fixed plate for tensione	1		
16	51A0313010	Nylon bush for rear whee	2		
17	GT68WB12000/40	Tensioner arm	1		
18	GT68WB33000	Nylon sleeve	2		
19	GT68WB34000/01	Brake arm	1		
20	0201008000	Nut - M8	3		
21	0101008050	Bolt - M8*50	1		
22	GT68WB35000	Brake block	1		
23	GT68WB37000/22	Gasket, brake arm	1		
24	GT68WB36000/22	Brake block pressure plate	1		
25	0401008000	Spring washer - φ8	16		
26	0103005025	Screw - M5*25	2		
27	HA1020	Blade roll bel	2	Consumable parts	B
28	GT68WB19000B1/44	Belt cover	1		
29	0303008000/02	Big washer - φ8	1		
30	GT68WB14000/02	Tensioner	1		
31	0101008020	Bolt - M8*20	1		
32	GT68WB39000/44	Belt upper pressure plate	1		
33	GT68WB13000/22	Tensioner bush	1		
34	6203-2RS	Bearing	2	Consumable parts	B
35	GT68WB11000A1/02	Tensioner spring, blade rol	1	Consumable parts	A
36	GT68WA44000/02	OPC return spring	1	Consumable parts	A
37	KG12030530	Spring 2	1	Consumable parts	A
38	GT68WC07000	Pulley	1		
39	1101008030	Key - 8*30	1		
40	0901047000	Circlip - φ47	2		
41	6005-2RS	Bearing	4	Consumable Parts	B
42	0301008000	Flat washer - φ8	14		
43	0101008025	Bolt - M8*25	16		
44	3482000544	Drive shaft sleeve	1		
45	0104004016	Screw - M4*16	2		
46	34820085	Charging socket	1		
47	0202004000	Lock nut - M4	4		
48	34820007	Power off switch	1		
49	3482009344	Chassis	1		
50	0202008000	Lock nut - M8	3		
51	GT68WD14000/44	Fixed base	1		
52	GT68WD13000	Drive shaft	1		
53	1101008040	Key - 8*40	1		
54	34820025	Pulley	1		
55	0301008000	Flat washer - φ8	9		
56	GT68WB01000/44	Protective plate	1		
57	GT68WB26000/01	Fixed blade	1		
58	0202008000	Lock nut - M8	5		
59	34820026	Belt	1	Consumable Parts	B
60	76EJ11010	Cushion	1		
61	3482009644	Front cover plate	1		
62	6203-2RS	Bearing	2	Consumable Parts	B
63	34820083	Spacer bush	1		
64	34820029	Tensioner pulley	1		
65	1001015000	Circlip - φ15	1		
66	61902-2RS	Bearing	2	Consumable Parts	B
67	0901028000	Circlip - φ28	1		
68	0101008100	Bolt - M8*100	1		
69	3482003044	Generator tensioning arm	1		
70	34820034	Spring	1		
71	34820035	Power modul	1	Consumable Parts	C
72	WB9670044	Relay	1		
73	3482003644	Remote control receiver bracke	1		
74	34820110	Main controller	1	Consumable Parts	C
75	76ED05010	Controller pac	4		
76	3482009444	Controller mounting base	1		
77	76ED06010	Insulation cushior	4		
78	34820109	Slave controls	1	Consumable Parts	C
79	0104004025	Screw - M4*25	4		
80	3482004244	Storage battery roc	2		
81	DP12V12A	Storage batter	4		
82	34820043	Spacer 1	1		
83	34820044	Spacer 2	1		
84	34820045	Spacer 3	2		
85	3482004644	Battery compartmen	1		
86	3482005144	Left protective panel	1		
87	3482005244	Brace	1		
88	5360122010C	Rubber ring	1		
89	0302008000	Big washer - φ8	4		
90	34820056	Rear baffle for battery compartmei	1		
91	3482005744	Right protective plate for battery compartme	1		
92	3482008704	Locking tab	1		
93	34820088	Air inlet cover plate	1		
94	34820064	Air inlet filter sponge	1	Consumable Parts	A
95	34820089	Air inlet box	1		
96	3482007444	Generator fixing buckle	1		
97	0102010025	Bolt - M10*25	1		
98	34820077	Alternator with pulley	1	Consumable Parts	C
99	0103010050	Bolt - M10*50	2		
100	0202010000	Lock nut - φ10	2		
101	0301010000	Flat washer - φ10	3		
102	3482007844	Outlet	1		
103	0901040000	Circlip - φ40	1		
104	34820082	Aluminum alloy handle	1		
105	0112006016	Screw - M6*16	2		
106	50660001	Screw - M5*30	4		
107	34820090	Small cover plate	1		
108	0102006012	Bolt - M6*12	14		
109	34820091	Handle	1		
110	0101008025	Bolt - M8*25	1		
111	0102006020	Bolt - M6*20	2		
112	0101006010	Bolt - M6*10	4		
113	0104004010	Bolt - M4*10	2		
114	0101008020A	Head thinning type bolt - M8*20	1		
115	34820092	Return spring	2		
116	81EC26000	Sealing strip	1		
117	3472000102	Hang chain	28		
118	34820099	Fan activity disc	1		
119	34820100	Fan filter cotton	1		
120	0102006010	Bolt - M6*10	4		
121	34820101	Fan	1		
122	34820102	Fan protective cover	1		
123	50130002	Screw - M4*35	4		
125	3482010444	Fan inlet sea	1		
126	50730001	Screw and flat washer assembh	8		
127	0301004000	Flat washer - φ4	12		
128	34820063	Spring hinge	2		
129	34820108	Insulation cotton	1		

3	Part3 Main body Spare parts price list				
Order	Part number	Name_English	Quantity	Remark	Consumable grade
1	0101008025	Bolt - M8*25	2		
2	0401008000	Spring washer - φ8	4		
3	HQB000000100/02	Wheel hub spacer	2		
4	3483000140	Driving wheel	2		
5	0103006080	Screw - M6*80	2		
6	1001025002	Circlip - φ25	4		
7	0901052000	Circlip - φ52	2		
8	6205-2RS	Bearing	2	Consumable Parts	B
9	50570001	Key - 8*7*35	2		
10	34830002	Transmission spline shaft	2		
11	1001058000	Circlip - φ58	4		
12	0103008025	Screw - M8*25	20		
13	3483000340	Half shaft sleeve	2		
14	34830006	Transmission	2		
15	34830007	Motor	2	Consumable Parts	C
16	3483000840	Electromagnetic brake cover	2		
17	34830011	Rubber ring	2		
18	0103005050	Screw - M5*50	6		
19	3483001240	Intermediate casing	1		
20	0102006012	Bolt - M6*12	4		
21	3483001544	Engine belt cover	1		
22	0101012040	Bolt - M12*40	4		
23	0401012000	Spring washer - φ12	4		
24	0301012000	Flat washer - φ12	4		
25	0101010025	Bolt - M10*25	8		
26	0401010000	Spring washer - φ10	12		
27	0301010000	Flat washer - φ10	8		
28	0101010050	Bolt - M10*50	5		
29	0201010000	Nut - M10	9		
30	0102008025	Bolt - M8*25	1		
31	0202008000	Lock nut - M8	1		
32	3483001944	Support plate	1		
33	3483002044	Bottom plate	1		
34	0101008020	Bolt - M8*20	3		
35	0301008000	Flat washer - φ8	2		
36	34830023	Engine belt	1	Consumable Parts	B
37	GT68WB15000	Pulley gasket	1		
38	GT68WE13020 +GT68WE13010	Pulley & Tapered Bushings	1		
39	KN20004HA	Key - 7*45	1	Consumable Parts	C
40	GT68WE21000/22	Silencer cover	1		
41	0103006012	Screw - M6*12	4		
42	0401006000	Spring washer - φ6	4		
43	0211006000	Wing nut - M6	1		
44	GT68WE23000	New fiter cover	1	Consumable Parts	C
45	GT68WE24000	New fiter box	1	Consumable Parts	C
46	0202006000	Lock nut - M6	1		
47	0201006000	Nut - M6	1		
48	GT68WE27000	Air filter intake connector	1	Consumable parts	C
49	0101006045	Bolt - M6*45	1		
50	GT68WE25000	Filter screen	1	Consumable Parts	A
51	BN02582AA	Clamp - φ45	1	Consumable Parts	C
52	GT1300	Engine	1		
53	GT68WE10000/02	Engine throttle spring	1		
54	0101010030	Bolt - M10*30	4		
55	3483002440	Engine bracket 2	1		
56	3483002540	Engine bracket 1	1		
57	3483002640	Left bracket	1		
58	0302010000	Big flat washer - φ10	8		
59	0126008025	Shim combination bolt - M8*25	4		
60	3483003140	Right bracket	1		
61	0302008000	Big washer - φ8	2		
62	3483003440	Strengthening plate	1		
63	3483003640	Installation board	1		
64	0103006035	Screw - M6*35	4		
65	0103006025	Screw - M6*25	4		
66	PJ/WXB14	Air filter assembly	1	Consumable Parts	A

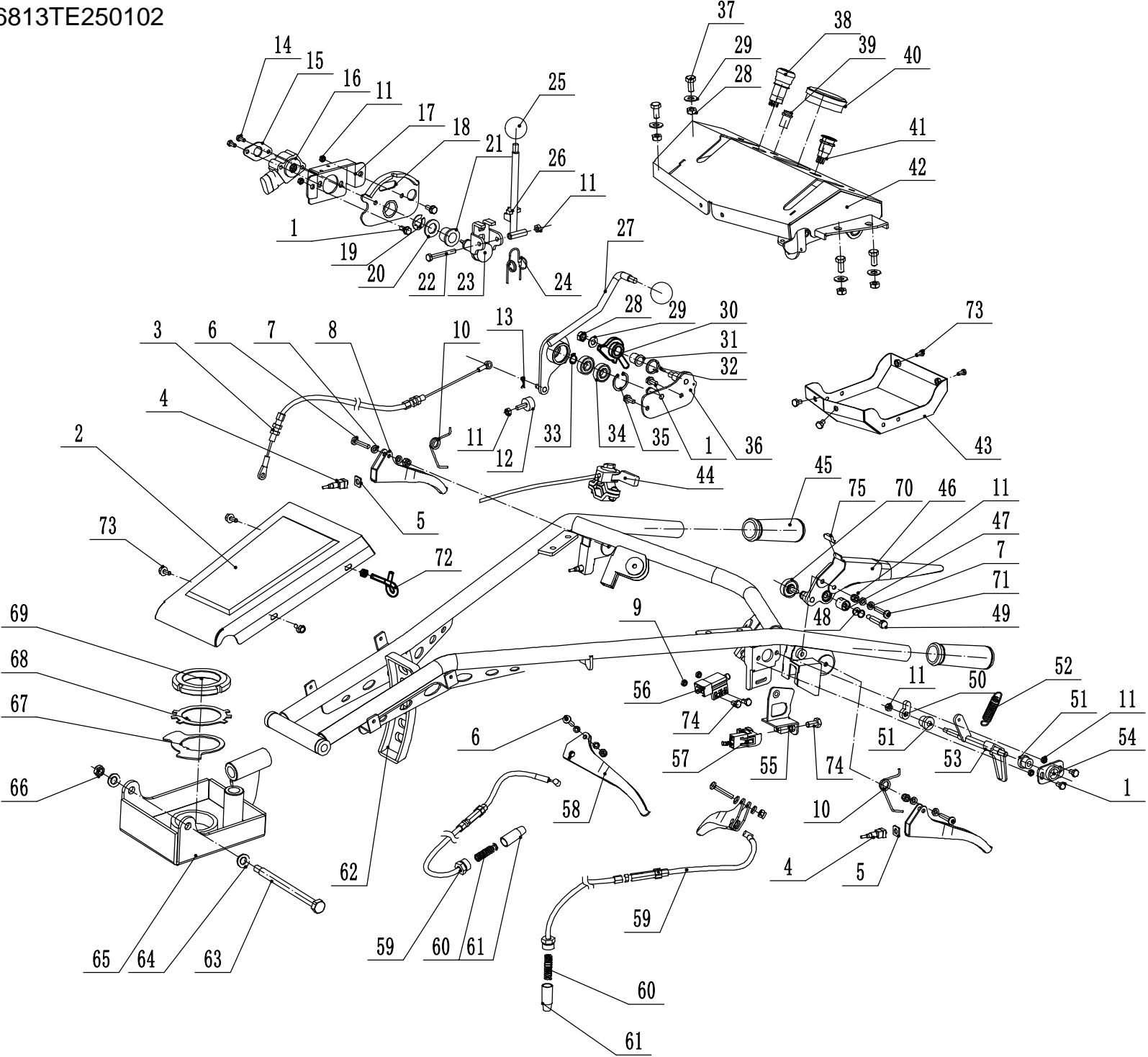
4	Part4 Walking part Spare parts price list				
Order	Part number	Name_English	Quantity	Remark	Consumable grade
1	0101008020	Bolt - M8*20	8		
2	3484000140	Guide wheel connecting plate	2		
3	GT68TE06000/40	Guide wheel guard	4		
4	1502505207	Sealing ring - 25*52*7	4		
5	1001025002	Circlip - φ25	4		
6	6205-2RS	Bearing	8		
7	GT68TE07000/22	Guide wheel spacer sleeve	4		
8	GT68TE08000/40	Track guide wheel	4		
9	1503005207	Sealing ring - 30*52*7	4		
10	3484000240	Left and right pressure rod	2		
11	3484001640	Chassis	1		
12	0101012030	Bolt - M12*30	4		
13	0101008040	Bolt - M8*40	2		
14	0401008000	Spring washer - φ8	10		
15	0301008000	Flat washer - φ8	10		
16	0101012040	Bolt - M12*40	6		
17	0401012000	Spring washer - φ12	4		
18	0301012000	Flat washer - φ12	6		
19	2501006000A	Oil cup - M6	2		
20	GT68TE11000/40	Fixed seat pressure plate	2		
21	GT68TE12000	Track spindle upper seat	2		
22	GT68TE13000	Track spindle lower seat	2		
23	3484001840	Chassis rear axle	2		
24	0201014000	Nut - M14	2		
25	0101014180	Bolt - M14*180	2		
26	3484001140	Pedal bracket	1		
27	34840014	Bolt	2		
28	0201008000	Nut - M8	4		
29	3484001540	Activity board	2		
30	0101008060	Bolt - M8*60	2		
31	0202008000	Lock nut - M8	4		
32	GT68TE09000	Track	2	Consumable Parts	C
33	0202012000	Lock nut - M12	2		
34	0102006012	Bolt - M6*12	4		
35	GT68TE20000/40	Tail guard	1		
36	GT68TE23000	Hydraulic support rod	1	Consumable Parts	C
37	GT68TE19000/40	Pedal	1		
38	0303008000/02	Big washer - φ8	4		

5 Part5 Swing blade roller Spare parts price list					
Order	Part number	Name_English	Quantity	Remark	Consumable grade
1	UCFC206	Bearing	2	Consumable Parts	B
2	0101010045	Bolt - M10*45	4		
3	0401010000	Spring washer - φ10	8		
4	0301010000	Flat washer - φ10	46	Consumable parts	A
5	GT68WC05000/22	Mounting disc for blade roll	2		
6	GT68WC01000/22	Bearing cover	1		
7	GT68WC02000/01	Blade	38	Consumable Parts	A
8	GT68WC03000	Blade bolt	19	Consumable Parts	A
9	0201010000DD	Nut - M10	19	Consumable Parts	A
10	GT68WC04000/22	Blade roll	1	Consumable Parts	C
11	0101010050	Bolt - M10*50	4		
12	GT68WC07000	Pulley	1		
13	1101008030	Key - 8*30	1		
14	PJ/WXGT001	Blade Repair Kit	19	Consumable Parts	A

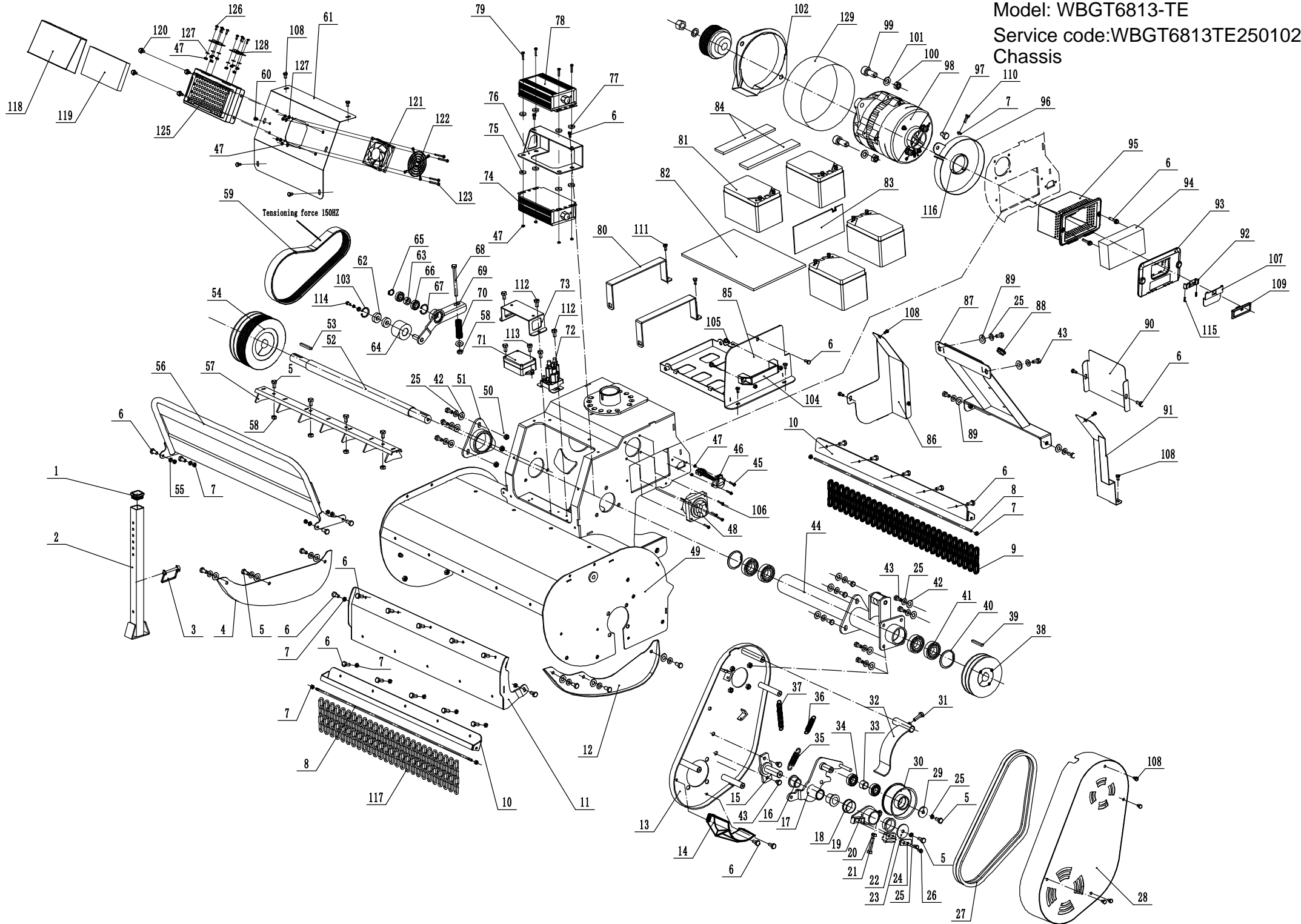
Order	Part number	Name_English	Quantity	Remark	Consumable grade
6	Part6 Front wheel bracket Spare parts price list				
1	3486001402	Dust cover	2	Consumable Parts	C
2	0202010000	Lock nut - M10	3		
3	0302010000	Big flat washer - φ10	2		
4	30202	Bearing	2	Consumable Parts	C
5	32004	Bearing	2	Consumable Parts	C
6	348600008	Oil seal	2		
7	0301012000	Flat washer - φ12	6		
8	GT68WD05000	Universal wheel	2	Consumable Parts	A
9	0202012000	Lock nut - M12	2		
10	3486000240	Universal wheel bracket	2	Consumable Parts	C
11	0101012095	Bolt - M12*95	2		
12	0102006016	Bolt - M6*16	4		
13	GT68WD20000A1/40	Shadoof	1	Consumable parts	C
14	0103012050	Bolt - M12*50	2		
15	0401012000	Spring washer - φ12	2		
16	3486000440	Front wheel bracket	1		
17	51A0313010	Nylon bush for rear wheel	2		
18	GT68WD06000/22	Bush for front wheel bracket	2		
19	GT68WD12000/37	Slope pointer	1		
20	0102006012	Bolt - M6*12	1		
21	0101010055	Bolt - M10*55	1		
22	GT68WD07000/44	Fixed rod	1		
23	0103006016/12P9	Bolt - M6*16	1		
24	3474000102	Spacer	1		
25	GT68WD08000/44	Rocker screw	1		
26	48R0113010	Nylon bush	2		
27	0103008090	Screw - M8*90	1		
28	GT68WD10000	Rocker handle	1		
29	0201008000	Nut - M8	1		
30	GT68WD09000A1/44	Rocker	1		
31	0701005025	Pin - φ5*25	1	Consumable Parts	C
32	0301016000	Flat washer - φ16	1		
33	0301010000	Flat washer - φ10	2		
34	2501006000A	Oil cup - M6	2		

7	Part7 Wiring loom Spare parts price list				
Order	Part number	Name_English	Quantity	Remark	Consumable grade
1	34870006	Engine kill wire	1		
2	34810001	Turn controlling switch	2		
3	34810008	Speed regulating switch	1		
4	34810066	Indicator light	1		
5	34810023	Emergency stop button	1		
6	34810024	Central information screen	1		
7	34810025	Key switch	1		
8	81QZY001	Remote control switch	1		
9	34870012	Remote control switch wire	1		
10	Z61C0300	OPC switch	1		
11	34870002	Main wire harness	1		
12	34830007	Motor	2		
13	34820077	Alternator with pulley 56V/100A	1		
14	34870013	Power off switch 1A connection wire	1		
15	34870008	Battery output wire	1		
16	34820035	Power module	1		
17	DP12V12A	Battery 151*99*99	4		
18	34870009	Battery connection wire	3		
19	WB9670004	Relay	1		
20	34870011	Alternator positive wire	1		
21	34870007	Controller positive wire	1		
22	34820085	Charging socket	1		
23	34820110	Main controller	1		
24	34820109	Slave controller	1		
25	34870010	Controller negative wire	1		
26	34870016	Alternator excitation signal wire	1		
27	34870014	Power off switch 1B connection wire	1		
28	34870015	Power off switch 2 connection wire	1		
29	34820007	Power off switch	1		
30	WB9681005	Fuse 150A	1		
31	34870017	Fuse tube 10A 5*20mm	1		
32	WB9650012	Protective sheath 14*8	5		
33	WB9650011	Protective sheath 14*8	5		
34	WB9650008	Protective sheath 12*22	2		
35	76EK09010	European standard charging cable	1		
36	76EK03010	American standard charging cable	1		
37	76EK06010	British standard charging cable	1		
38	76EK07010	Great South Africa standard charging cable	1		
39	76EK08010	Australian standard charging cable	1		
40	76LDH002-01	Key	1		
41	68EQ01000	Charger	1		

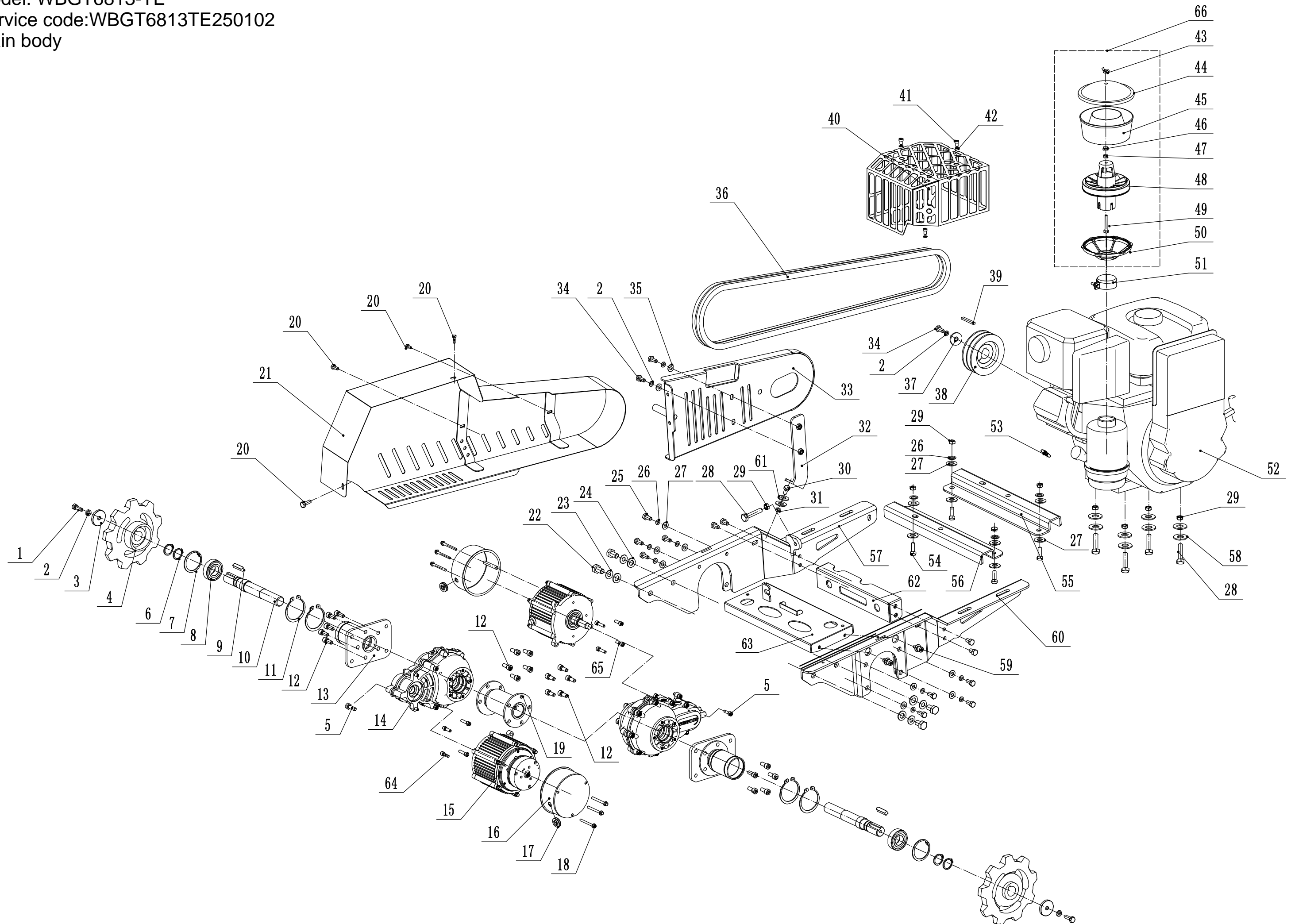
Model: WBGT6813-TE  
Service code:WBGT6813TE250102  
Handle and controls



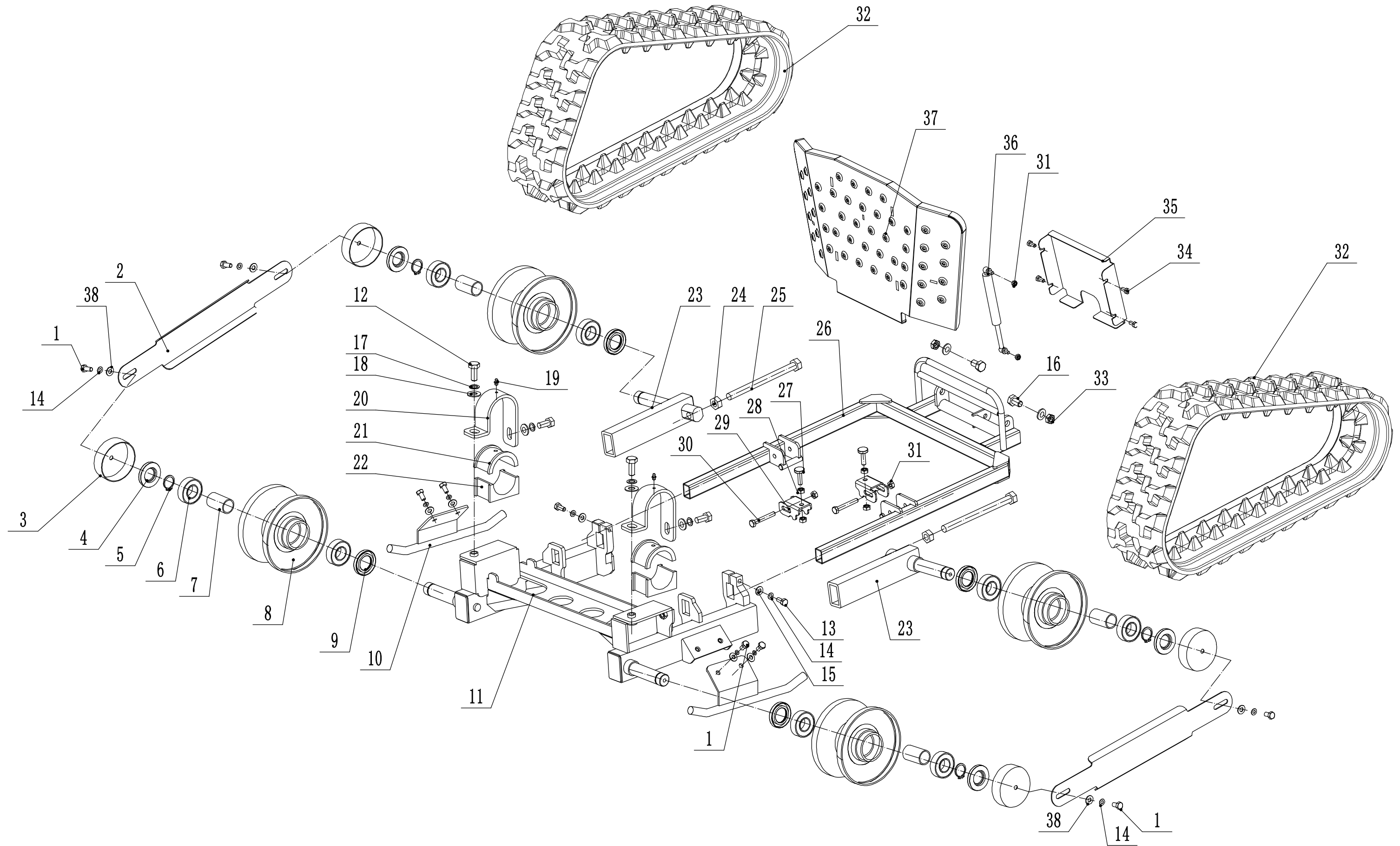
Model: WBGT6813-TE  
Service code:WBGT6813TE250102  
Chassis



Model: WBG6813-TE  
Service code:WBG6813TE250102  
Main body



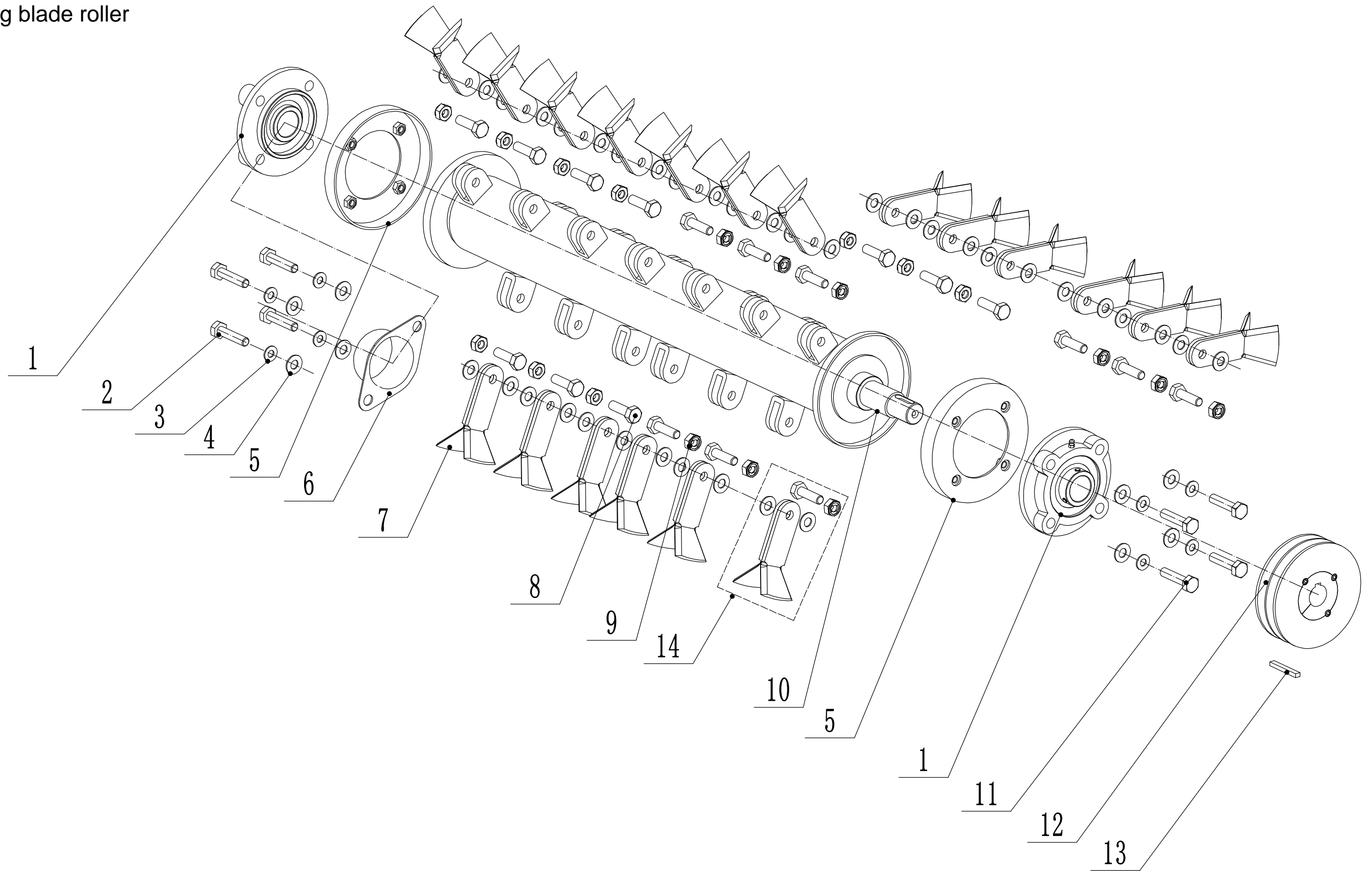
Model: WBG6813-TE  
Service code:WBG6813TE250102  
Walking part



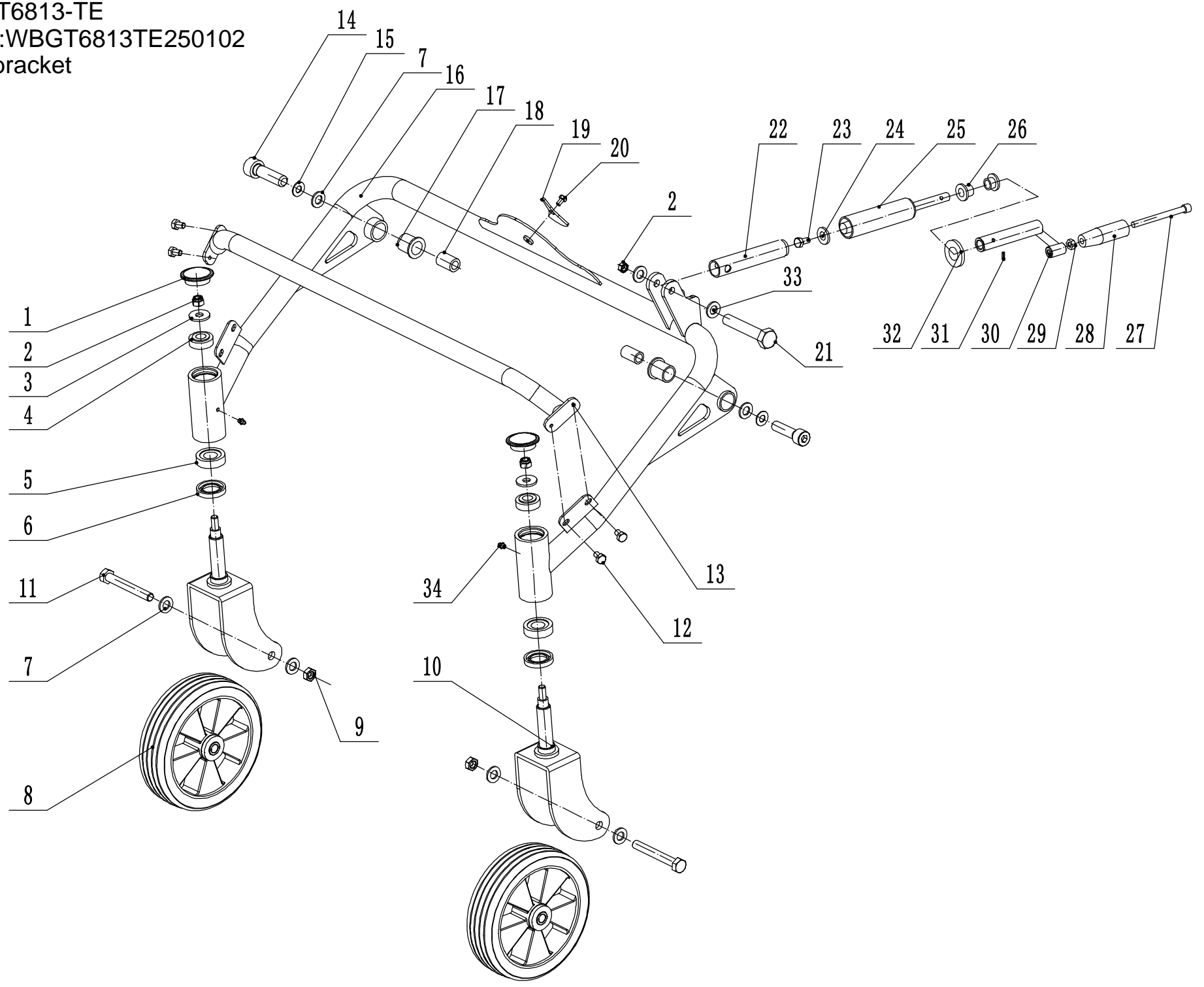
Model: WBGT6813-TE

Service code:WBGT6813TE250102

Swing blade roller



Model: WBGT6813-TE  
Service code:WBGT6813TE250102  
Front wheel bracket



Model: WBGT6813-TE  
Service code:WBGT6813TE250102  
Wiring loom

