

WBBC7623LC Spare parts price list Service code: WBBC7623LC2410

Note vulnerable properties : Refers to the degree of wear and tear in the day-to-day operation of the correct use of this part which according to guide customers reasonable reserves. A for wear and tear very easily, B for wear and tear is easy while C for wear and tear is not easy, and we suggest having basic inventory. We suggest that you still need to have basic inventory of C

Subassembly code	Name	Name_English	Machine breakdown	parts list
1	WBBC7623LC	Engine part	1	Engine parts
2	WBBC7623LC	Blade system	2	Blade system
3	WBBC7623LC	Main base plate	3	Main base plate
4	WBBC7623LC	Rear axle	4	Rear axle
5	WBBC7623LC	Handle and controls	5	Handle and controls
6	WBBC7623LC	Wiring loom	6	Wiring loom

***Electrical schematic diagram**

Part1 Engine Spare parts price list

Order	Part number	Name	Name_English	Quantity	Remarks	Consumable grade
1	LC2P80F/L1256	23HP 2P80	Engine	1		
2	5320115010	3/8-16*25.4 12.9	Bolt - 3/8-16*25.4 12.9	4		
3	13910001	AK32	Belt	1	Consumable parts	B
4	13910014	6.35*6.35*22	Key	1		
5	1391000202		Engine pulley	1		
6	13910017		Clutch	1	Consumable parts	C
7	13810010		Spring washer - 7/16	1		
8	DL20204C2	7/16-20*2-1/2 10.9	Bolt - 7/16-20*2-1/2 10.9	1		
9	1391000540		Left fixed plate	1		
10	1391000740		Right fixed plate	1		
11	1391000940		Engine protective net	1		
12	0102006012	M6*12	Bolt - M6*12	10		
13	1391001040		Right support plate	1		
14	1391001240		Left support plate	1		
15	0102006016	M6*16	Bolt - M6*16	2		

2 Part2 Blade system Spare parts price list						
Order	Part number	Name	Name English	Quantity	Remarks	Consumable grade
1	50670001	M16×1.5	Lock nut - M16*1.5	1		
2	1392000202		Blade washer	1	Consumable parts	A
3	1392000132		Blade	1	Consumable parts	A
4	1392000322		Protective sleeve	1		
5	1392000404		Blade shaft	1		
6	6205-2ZS	6205-2ZS	Bearing	3	Consumable parts	B
7	1392000502		Bearing washer	1		
8	1392000602		Bearing spacer sleeve	1		
9	1392000722		Bearing seat	1		
10	1392000802		Blade pulley	1		
11	50570002	8×7×20	Key	1		
12	0301020000	20	Flat washer - φ20	1		
13	13920052	M20×1.5-L	Nut - M20*1.5-L	1		
14	13920053	M20×1.5-L	Thin nut - M20*1.5-L	1		
15	13920011	HB1490	Belt	1	Consumable parts	B
16	0102010020	M10×20	Bolt - M10*20	20		
17	0107012050	M12×50	Bolt - M12*50	2		
18	0206012000	M12	Nut - M12	2		
19	13920012	SF-2 35×40×40	Bearing	2		
20	1392001322		Bracket	1		
21	0102010060	M10×60	Bolt - M10*60	1		
22	0901040000	40	Circlip - φ40	1		
23	6203-2RS	6203-2RS	Bearing	1	Consumable parts	B
24	1392001802		Tensioner pulley	1	Consumable parts	C
25	1392002102		Tensioner sleeve	1		
26	1392002202		Tensioner arm	1		
27	1392002502		Spacer sleeve	1		
28	50680001	M10	Nut - M10	6		
29	0101010090	M10*90	Bolt - M10*90	1		
30	0302010000	10	Big flat washer - φ10	1		
31	4SC1908010		Cooper bush	1		
32	13920026		Tensioning spring	1	Consumable parts	C
33	2501006000A	M6	Oil cup - M6	1		
34	1392002704		Spacer sleeve for tensioning arm	1		
35	1392002844		Blade cover	1		
36	0302008000	8	Big flat washer	4		
37	0102008020	M8*20	Bolt - M8*20	10		
38	0102010040	M10*40	Bolt - M10*40	4		
39	1392002922		Reinforcement plate	1		
40	1392003344		Blade disc	1		
41	1392003740		Height adjusting	1		
42	0301008000	8	Flat washer - φ8	12		
43	0202008000	M8	Nut - M8	12		
44	1392004040		Left height adjusting rod	1		
45	13920043		Rubber skin	1		
46	1392004422		Pressure plate	1		
47	1392004540		Bumper	1		
48	0102008040	M8×40	Bolt - M8*40	6		
49	13920046	Φ20	Plug - Φ20	2		
50	1392004722		Support bracket	1		
51	0301006000	6	Flat washer - φ6	2		
52	0202006000	M6	Nut - M6	2		
53	1392004822		Shaft for front baffle	1		
54	1392004922		Front baffle	1		
55	13920054		Blade Kit	1	Consumable parts	A
56	13920056		Dust cover for bearing seat	1		

3 Part3 Main base plate Spare parts price list						
Order	Part number	Name	Name_English	Quantity	Remarks	Consumable grade
1	0102008030	M8×30	Bolt - M8*30	4		
2	0302008000	8	Big washer - φ8	4		
3	16620-Z120210-H7A0	15L	Tank	1		
4	0102008020	M8×20	Bolt - M8*20	10		
5	1393000222		Tank bracket	1		
6	0202006000	M6	Lock nut - M6	3		
7	0301006000	6	Flat washer - φ	3		
8	WB9670004		Relay	1		
9	0102006016	M6*16	Bolt - M6*16	3		
10	1393000622		Rear deflector	1		
11	0102010020	M10×20	Bolt - M10*20	2		
12	1393000701		Left support plate	1		
13	4820113010	5/16-18×16	Bolt - 5/16-18×16	2		
14	13930034	Φ25	Rubber ring - Φ25	1		
15	1393000801		Right support plate	1		
16	1393004344		Main seat plate	1		
17	13930018		Positioning sleeve	1		
18	13930019	M8×60	Pin - M8*60	1		
19	1393002002		Lock sleeve	1		
20	1393002102		Limited rod	1		
21	1393002302		Belt limiter	2		
22	0204010000	M10	Metal lock nut - M10	1		
23	0302010000	10	Big washer - φ10	2		
24	0202010000	M10	Lock nut - M10	2		
25	0102010060	M10×60	Bolt - M10*60	1		
26	0901035000	35	Circlip - 35	1		
27	1393003602		Drive tensioner	1	Consumable parts	C
28	6202-2RS	6202-2RS	Bearing	1	Consumable parts	B
29	1393002702		Tensioning cushion sleeve	1		
30	1393003702		Tensioning arm	1		
31	1392002502		Spacer sleeve	1		
32	13930032		Tensioning spring	1	Consumable parts	B
33	GM56A060000080		Soliding bearing	2		
34	0303008000	8	Big washer - φ8	1		
35	0401008000	8	Spring washer - φ8	1		
36	0101008020	M8×20	Bolt - M8*20	1		
37	1393003302		Spacer	3		
38	Z122420014		Relay	1		

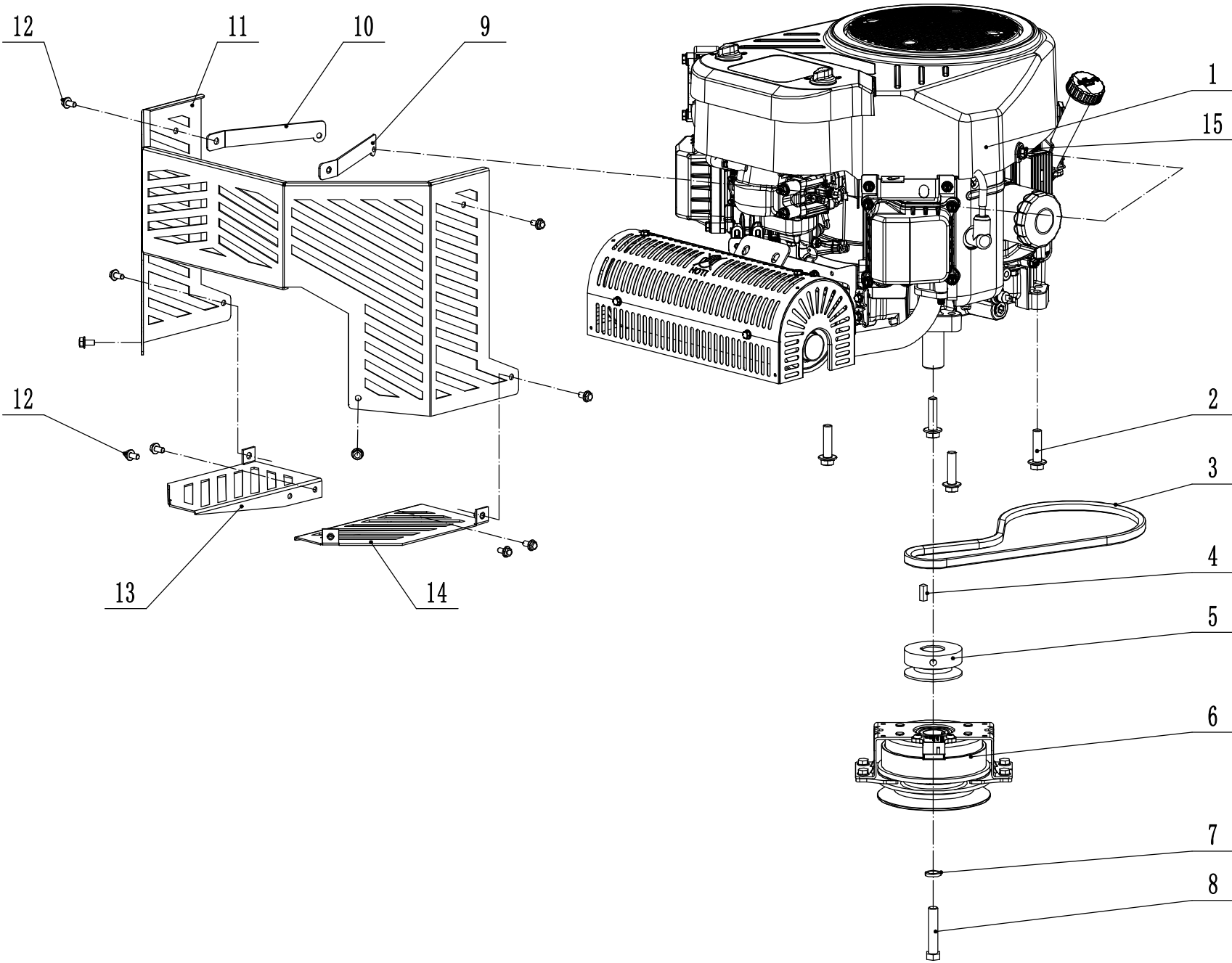
Part4 Rear axle Spare parts price list

Order	Part number	Name	Name English	Quantity	Remarks	Consumable grade
1	13940025	M12×1.25	Wheel nut - M12*1.25	10		
2	13940026	18×6.5	Wheel	2	Consumable parts	C
4	1001038000	Φ38	Circlip - Φ38	2		
5	50510001	8x35 65mn	Pin - Φ8*35	2		
6	0111012040B	M12×1.25×40	Wheel bolt - M12*1.25*40	10		
7	1394000302		Brake hub flange	2		
8	13940004	160	Brake hub assembly	2	Consumable parts	B
8.1	13940030		Brake block	2	Consumable parts	B
9	6007-2RS	6007	Bearing	2	Consumable parts	B
10	1394000502		Left connecting plate	1		
11	0301008000	8	Flat washer - Φ8	20		
12	0401008000	8	Circlip - Φ8	12		
13	0103008016	M8×16	Screw - M8*16	12		
14	0202008000	M8	Nut - M8	8		
15	13940009	mst-205-550a	Transmission	1		
16	1394001002		Right connecting plate	1		
17	4510117010		Nylon spacer	4		
18	0801008020	B 8×20	Pin - 8*20	2		
19	05012P5022	2.5×22	Split pin - 2.5*22	2		
20	1394001402		Speed regulating plate	1		
21	4SC3609020		Big washer	1		
22	0401006000	6	Spring washer - φ6	1		
23	CM030000190		Fixing bolt	1		
24	0102010020	M10×20	Bolt - M10*20	6		
25	1394002701		Left support seat	1		
26	1394001602		Spacer sleeve	4		
27	50020002	M8×65	Bolt - M8*65	8		
28	1394001702		Transmission pulley	1		
29	1001016000	Φ16	Circlip - Φ16	1		
30	1394002022		Left grass guard	1		
31	0102008020	M8×20	Bolt - M8*20	4		
32	1394002322		Right grass guard	1		
33	1394002801		Right support seat	1		
34	1394002902		Spacer, Speed adjusting board	1		

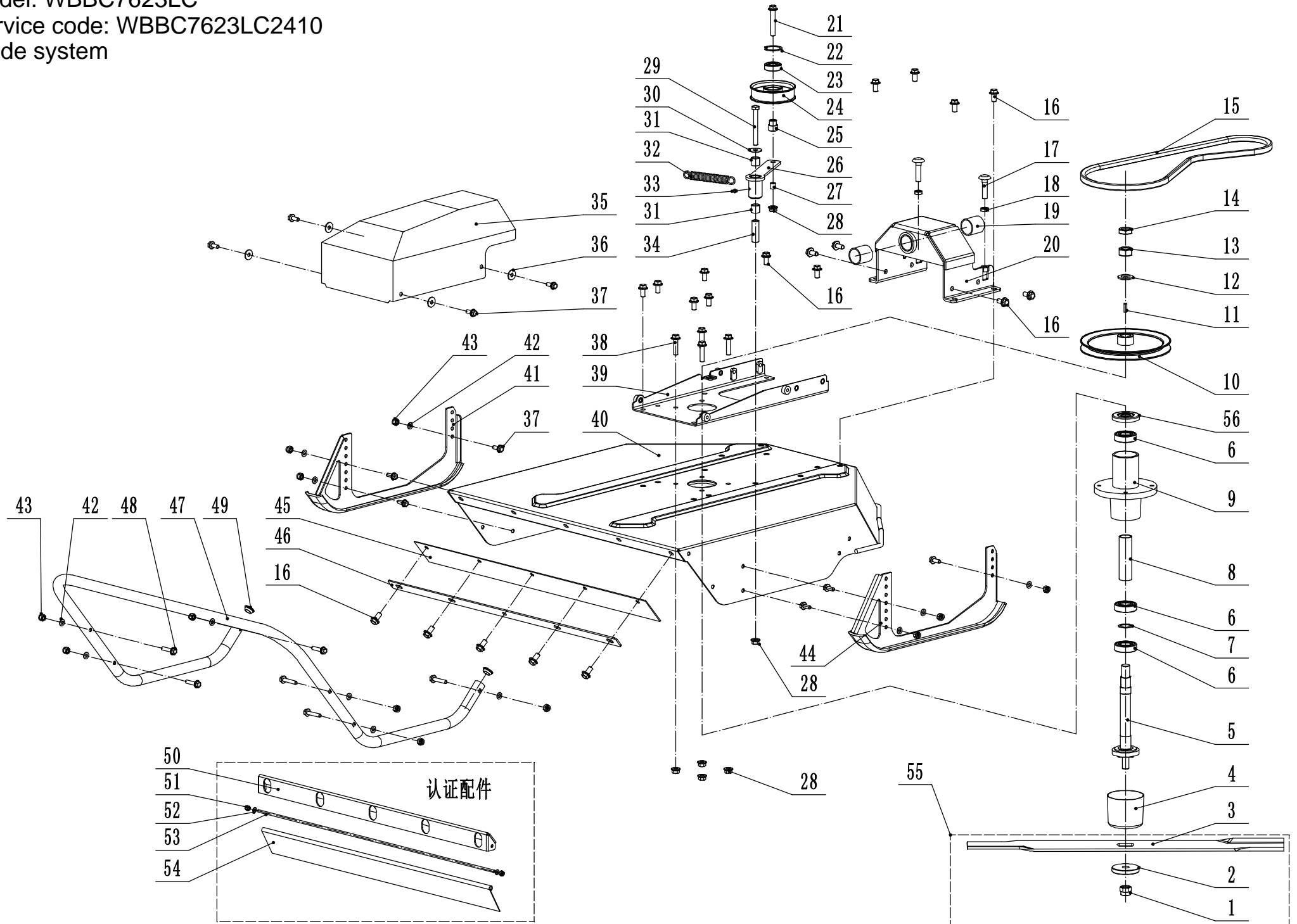
Order	Part number	Name	Name_English	Quantity	Remarks	Consumable grade
5	Part5 Handle and controls Spare parts price list					
1	0202008000	M8	Nut - M8	14		
2	0301008000	8	Flat washer - φ8	14		
3	1395000144		Left handle	1		
4	1395000644		Right handle	1		
5	1395001144		Left reinforcement rod	1		
6	1395001244		Right reinforcement rod	1		
7	0102008040	M8×40	Bolt - M8*40	8		
8	0102008045	M8×45	Bolt - M8*45	4		
9	0202006000	M6	Lock nut - M6	11		
10	1395001344		Battery bracket	1		
11	13950057	2	Battery pad 2	1		
12	DC12036		Battery	1		
13	13950058	1	Battery pad 1	1		
14	0128008020	M8×20	Bolt - M8*20	2		
15	1395001622		Battery pressure plate	1		
16	13950059	10×2×20	Handle sheath	2		
17	1395001702		Left parking lock hook	1		
18	13950020		Left parking spring	1	Consumable parts	C
19	1395002122		Brake steering handle	2		
20	0801008024	B8*24	Pin - 8*24	2		
21	05012P5022	2.5×22	Splitpin - 2.5*22	2		
22	0104006025	M6×25	Screw - M6*25	2		
23	0104006035	M6×35	Screw - M6*35	2		
24	0104006040	M6×40	Screw - M6*40	5		
25	1395002240		Hand guard	2		
26	0103006020	M6×20	Screw - M6*20	2		
27	0302006000	A6	Big washer - φ6	2		
28	45A0323010		Big handle sheath	2		
29	1395002349		Blade disc handle	1		
30	13950025		Blade disc cable	1		
31	0301006000	C16	Flat washer - φ6	17		
32	1301005000	5	Circlip - φ5	2		
33	1395002640		Clutch handle	1		
34	0104005025	M5×25	Screw - M5*25	1		
35	0302005000	5	Big washer - φ5	1		
36	0104004012	M4×12	Bolt - M4*12	1		
37	1395002702		Binding post	1		
38	1395002802		pressing plate	1		
39	1395002902		Start switch pad	1		
40	Z61C0300		Control switch	1	Consumable parts	C
41	1395003002		Support sleeve	1		
42	1395003101		Support plate	1		
43	0102008020	M8×20	Bolt - M8*20	4		
44	0202005000	M5	Lock nut - M5	9		
45	0202003000	M3	Lock nut - M3	2		
46	Z42ED14000/22		Pressure plate for micro switch	1		
47	13950032		Micro switch	1		
48	0104003025	M3×25	Screw - M3*25	2		
49	1395003301		Speed adjusting handle	1		
50	0301005000	5	Flat washer - φ5	9		
51	13950036		Limit plate	1		
52	1395003701		Cover limit plate	1		
53	0104005020	M5×20	Screw - M5*20	8		
54	Z101008020	BM8×20	Handle ball	1		
55	0202010000	M10	Nylon lock nut - M10	1		
56	0302010000	10	Big washer - φ10	1		
57	GT68WA08000/02		Spring	1		
58	1395003801		Speed adjusting turntable	1		
59	0501002016	2×16	Splitpin - 2*16	3		
60	1395004001		Support plate	1		
61	Z122241001		Throttle assembly	1		
62	Z122241001		Throttle assembly	1		
63	Z122245011A1		Rubber pad	1		
64	13950042		Emergency stop	1	Consumable parts	C
65	Z61E0300		Start switch	1	Consumable parts	C
66	1395004344		Control panel	1		
67	13950046		Brake cable	2	Consumable parts	B
68	13950047		Clutch cable	1	Consumable parts	B
69	13950048		Speed regulating cable	2	Consumable parts	B
70	13950049		Throttle cable	2	Consumable parts	B
71	4SC1307010C	1	Spring 1	1	Consumable parts	C
72	13950050		Right parking torsion spring	1	Consumable parts	C
73	1395005102		Right parking lock hook	1		
74	0104006050	M6×50	Screw - M6*50	1		
75	13950054	OPC	OPC start spring	1	Consumable parts	C
76	1395005549	OPC	OPC limit plate	1		
77	Z61C0100		Key	1		

6 Part6 Wiring loom Spare parts price list						
Order	Part number	Name	Name_English	Quantity	Remarks	Consumable grade
1	BXS020A	20A	Fuse 20A	1		
2	13960002		Main wire	1		
3	Z61E0300		Ignition switch	1		
4	Z61C0100		Key	1		
5	13950042		Emergency stop button	1	Consumable parts	C
6	13950032		Neutral safety switch	1	Consumable parts	C
7	Z61C0300		Blade hold-to-run switch	1	Consumable parts	C
8	13960009		Battery black sheath	1		
9	13960010		Battery red sheath	1		
10	DC12036		Battery	1		
11	WB9650008	12*22	Protective sheath 12*22	3		
12	13960006		Electric clutch wire	1		
13	Z122420014		Clutch relay	1		
14	13960004		Electric clutch wire	1		
15	13960005		Start motor wire	1		
16	WB9650012	14*8	Black protective sheath - 14*8	1		
17	WB9670004		Start relay	1		
18	WB9650011	14*8	Red protective sheath - 14*8	1		
19	13960003		Positive wire	1		

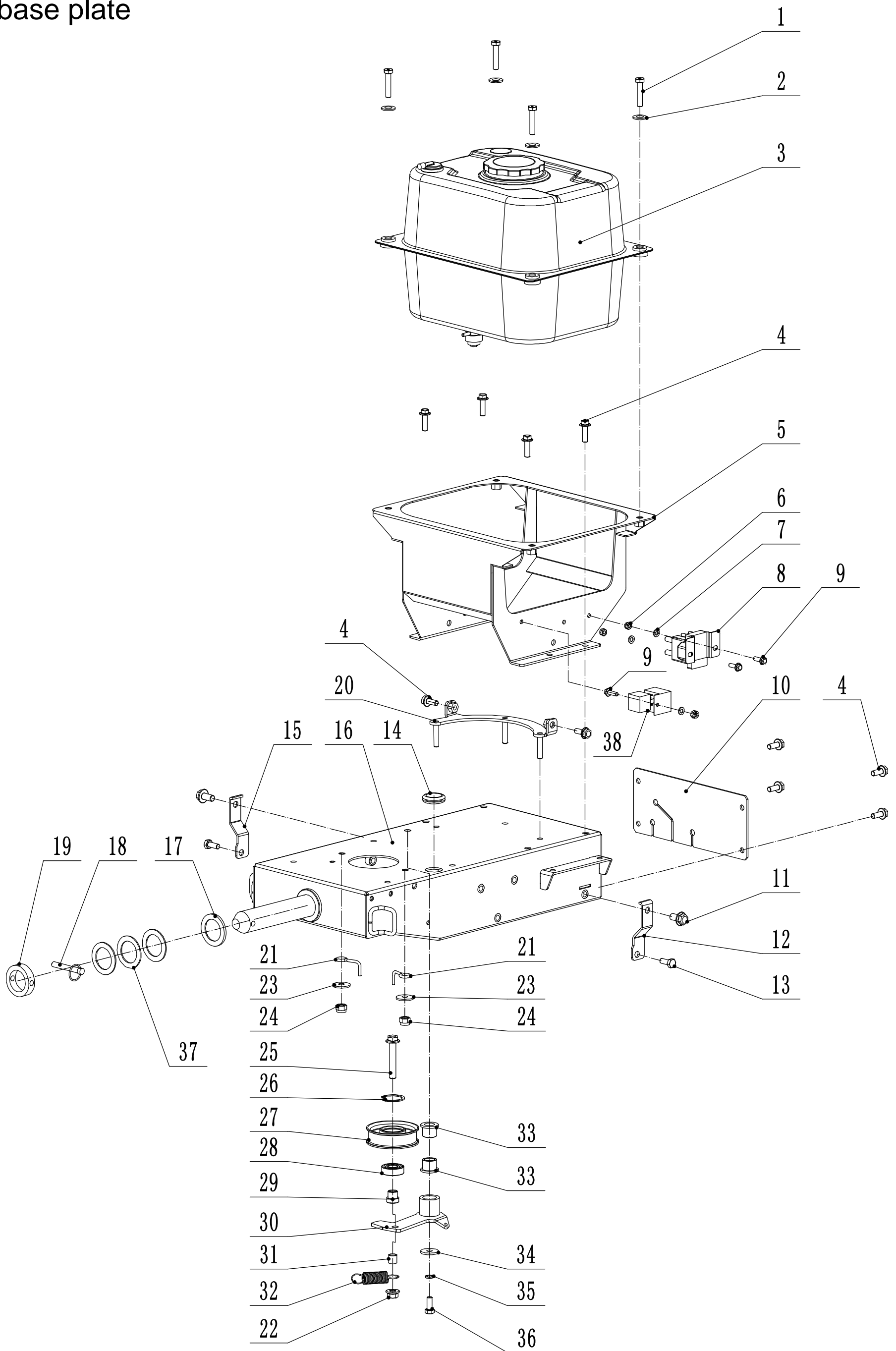
Model: WBBC7623LC
Service code: WBBC7623LC2406
Engine part



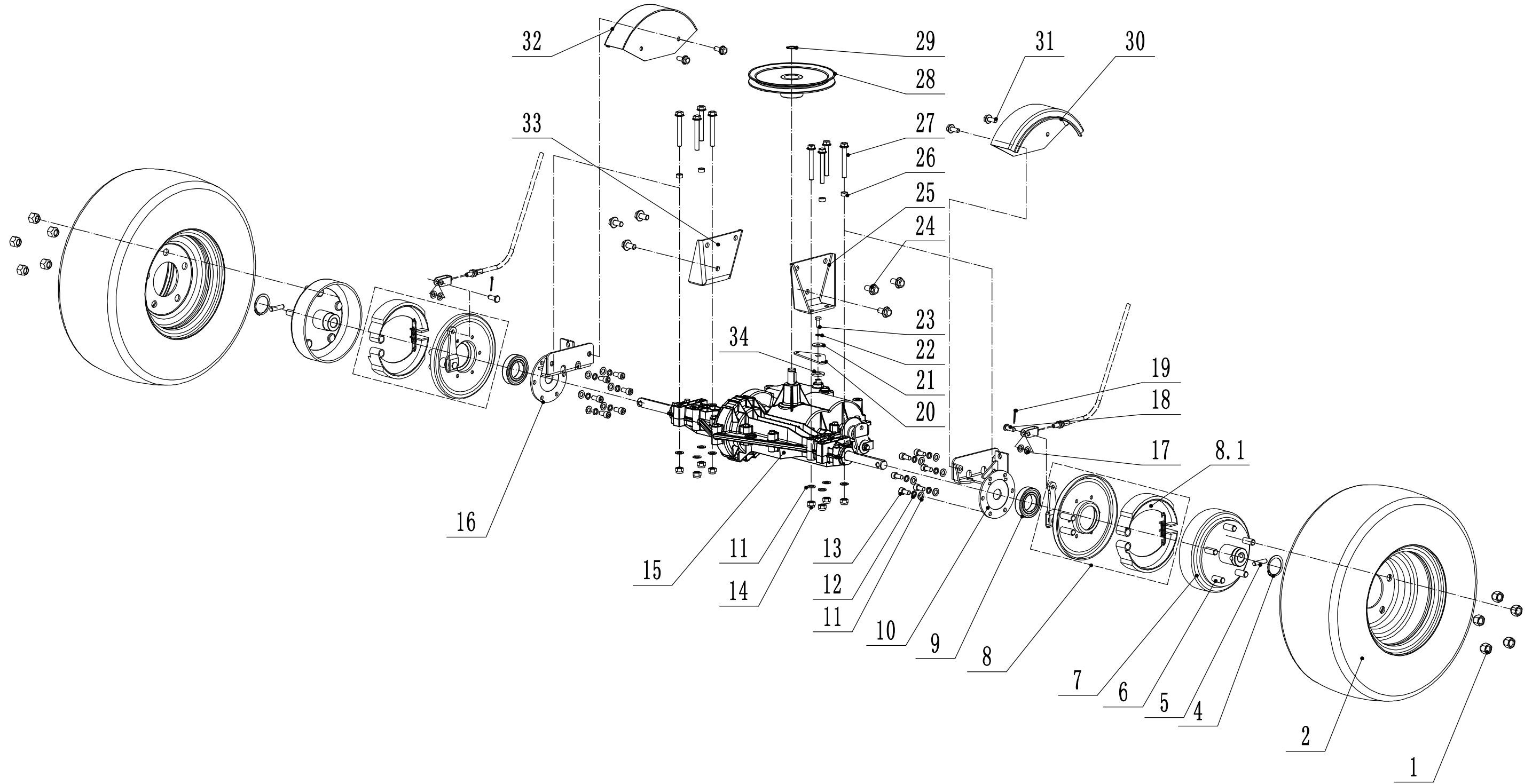
Model: WBBC7623LC
Service code: WBBC7623LC2410
Blade system



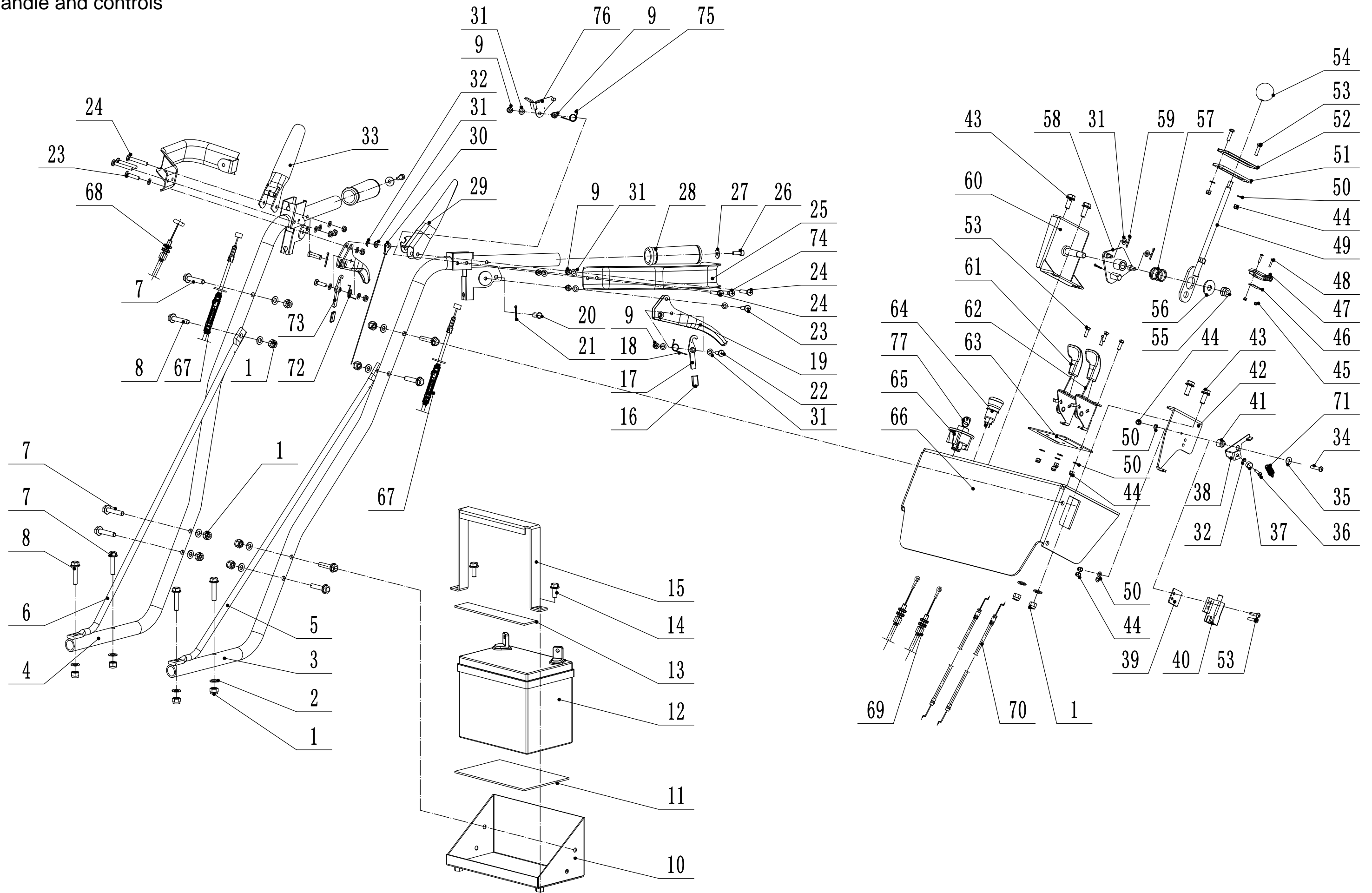
Model: WBBC7623LC
Service code: WBBC7623LC2410
Main base plate



Model: WBBC7623LC
Service code: WBBC7623LC2410
Rear axle



Model: WBBC7623LC
Service code: WBBC7623LC2410
Handle and controls



Model: WBBC7623LC
Service code: WBBC7623LC2410
Wiring loom

