

WBBC538SCV Spare Parts Price List Service Code : WBC538VCLV020B2505

Subassembly code	Name	Name_English	Machine Breakdown	Parts List
1	WBBC538SCV	Main body	1	Main body
2	WBBC538SCV	Blade system	2	Blade system
3	WBBC538SCV	Handle and controls	3	Handle and controls
4	WBBC538SCV	Rear axle	4	Rear axle
5	WBBC538SCV	Universal wheel	5	Universal wheel

1 Part1 Main Body Spare Parts Price List					
Order	Part Number	Name	Name_English	Quantity	Remarks
1	0219060000	M60	Circle nut - M60	1	
2	0304060000	60	Tab washer for circle nut	1	
3	BC53AC01000/44		Limit washer	1	
4	BC45TC02000/44		Rotating base	1	
5	1411000144		Chassis	1	
6	BC45TC14000B2/22		Indexing plate	1	
7	0104006016	M6x16	Screw - M6*16	2	
8	BC53AC08000/44		Rear guardrail	1	
9	0202006000	M6	Nylon lock nut - M6	10	
10	0104006020	M6x20	Bolt - M6*20	4	
11	BC53AC11000/02		Front shaft for baffle	1	
12	BC53AC04000		Rear deflector	1	
13	0101006030	M6x30	Bolt - M6*30	2	
14	1411001202		Bolt sleeve	2	
15	5320326010P		Bearing	2	
16	0301006000	6	Flat washer - φ6	4	
17	1411001344		Flip cover	1	
18	4820104010	M6X12	Screw - M6*12	6	
19	1411001744		Universal joint shield	1	
20	BC45TC10000		Dust guard	1	
21	14110020		Front baffle	1	
22	5360122010C		Rubber ring	1	
23	14110021		flip leather case	1	

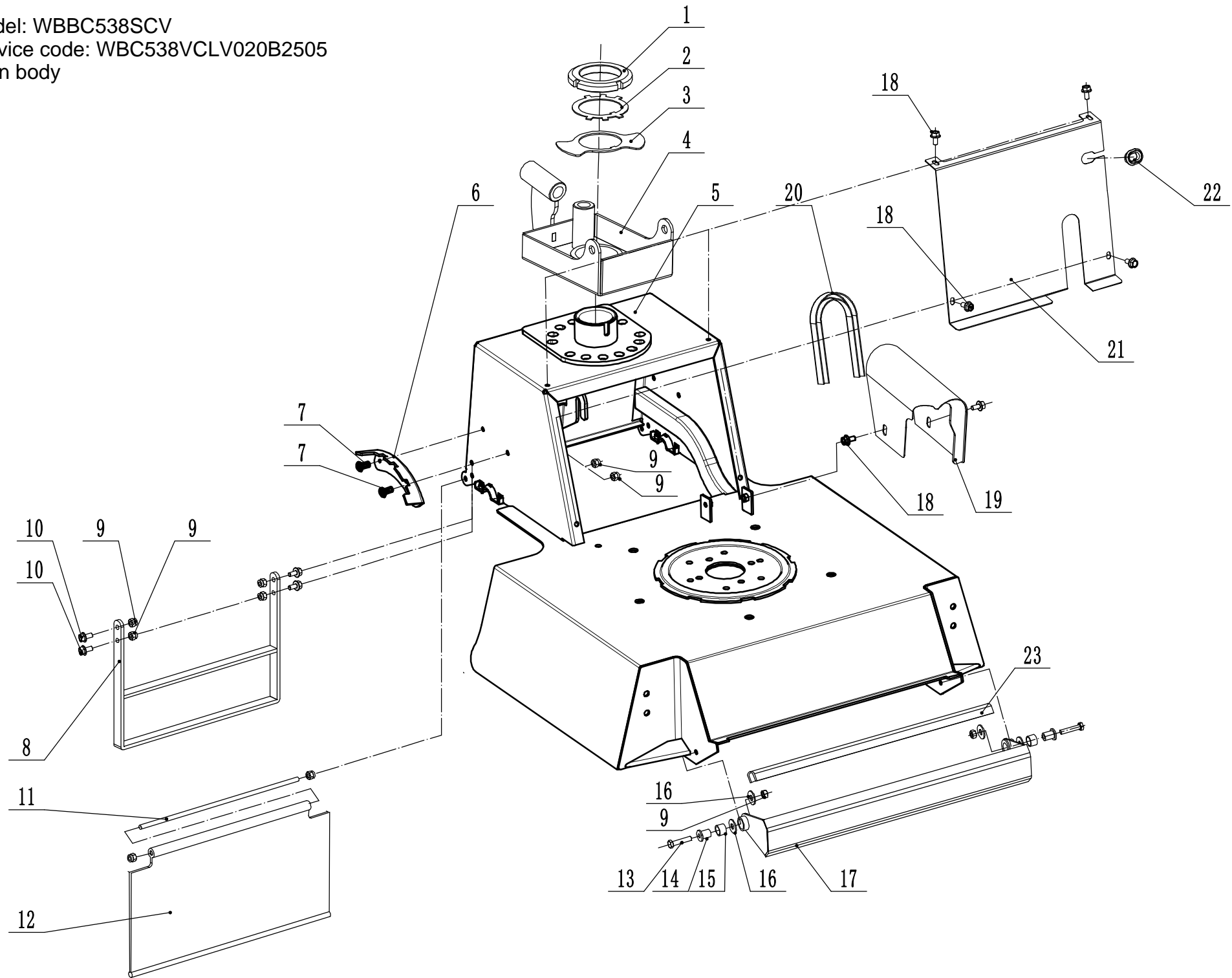
2	Part2 Blade System Spare Parts Price List				
Order	Part Number	Name	Name_English	Quantity	Remarks
1	0102010020	M10x20	Bolt - M10*20	5	
2	1412000344		Engine seat	1	
3	0302010000	10	Big washer - M10	6	
4	48R0162413	5/16x24x25	Bolt - 5/16-24*25	4	
5	1102005018	5x5x18	Key - 5*5*18	1	
6	BC53AB01000B1		Safety clutch	1	
7	0401008000	8	Circlip - M8	8	
8	0101008025/10P9	M8x25	Bolt - M8*25	1	
9	BC53AB02000		Blade shaft component	1	
10	6005-2RS	6005-2RS	Bearing	3	
11	BC53AB03000		Blade shaft	1	
12	BC53AB05000/22		Bearing seat	1	
13	BC45BB07000B1/02		Spacer for blade shaft bearing	1	
14	0901047000	47	Circlip - M47	2	
15	BC53AB06000		Adapter	1	
16	BC53AB07000/01		Grass proof of protective sleeve	1	
17	BC53AB04000/22		Blade	1	
18	BC53AB08000/04		Belleville spring	1	
19	0202010000	1M10	Nylon lock nut - M10	2	
20	0301008000	C 8	Flat washer - M8	6	
21	0101008030	M8x30	Bolt - M8*30	6	
22	BC45TB09000/22		Flail blade	2	
23	BC45TB10000/02		Spacer bush for flail blade	2	
24	0101010035/10P9	C M10x35(10.9)	Blade - M10*35	2	
25	0102010030/10P9	M10x1.25x30	Central bolt	1	
26	292980356-0001		Tube comp.	1	
27	0103006012	M6x12	Screw - M6x12	1	
28	Z123C11000/02		Tube clamp	1	
29	LC1P75F/L3372		Engine	1	

3 Part3 Handle And Controls Spare Parts Price List					
Order	Part Number	Name	Name_English	Quantity	Remarks
1	BC53AD01000/44		Handle	1	
2	45A0323010		Big hande sheath	2	
3	BC53AD02000/01		Drive handle	1	
4	1301005000		Criclip - M5	2	
5	0104006045		Screw - M6*45	2	
6	0202006000		Nylon lock nut - M6	3	
7	0104006025		Screw - M6*25	1	
8	BC45TD02000/01		Rotating plate for handle	1	
9	BC53AD03000/49		Brake handle	1	
10	BC45TD11000		Speed control bracket	1	
11	0102006016		Bolt - M6*16	4	
12	5380508010		Speed control grip	1	
13	0106003013		Screw - ST2.9*13	2	
14	5380510010		Throttle grip	1	
15	BC53AD04000		Throttle bracket	1	
16	BC45TD13000/44		Shield	1	
17	0102006012		Bolt - M6*12	4	
18	0202012000		Nylon lock nut - M12	1	
19	BC45TD12000/02		Step bolt	1	
20	YM98-1010-A1		Throttle cable	1	
21	BC53AD05000		Clutch cable	1	
22	BC53AD06000		Brake cable	1	
23	BC45TD17000		Speed control cable	1	
24	BC45TD16000		Height and angle adjustment cable	1	
25	BC45TD21000/02		Spring	2	
26	BC45TD22000/02		Cable core	2	

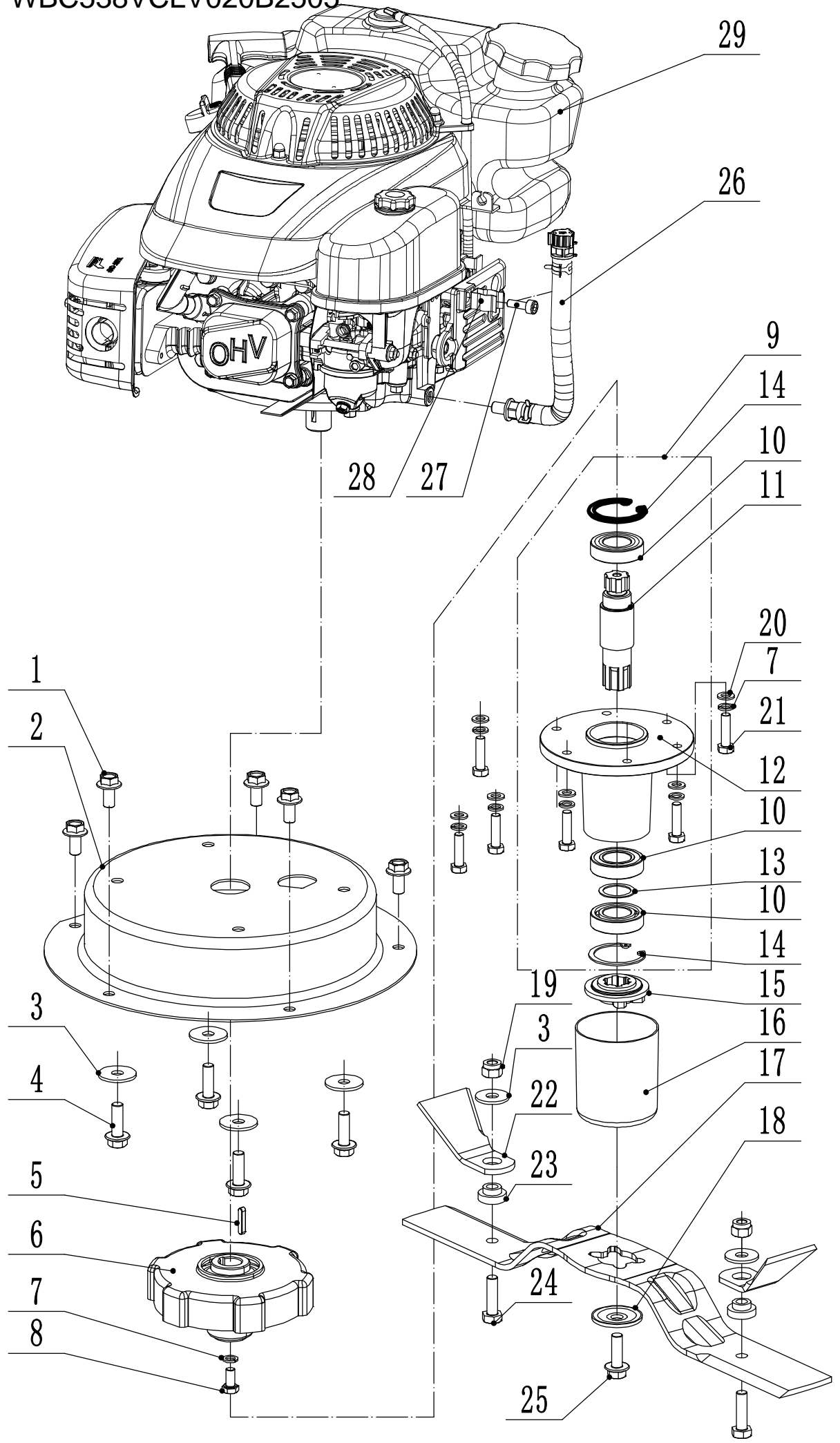
4	Part4 Rear Axle Spare Parts Price List				
Order	Part Number	Name	Name_English	Quantity	Remarks
1	BC45TE01000		Wheel cap	2	
2	0102008016		Bolt - M8*16	2	
3	0401008000		Spring washer - M8	2	
4	0301008000		Flat washer - M8	2	
5	BC45TE02000C2		Polyurethane wheel	2	
6	1301009000		Circilp - M9	2	
7	5020311010A1/04		Anti-friction washer	2	
8	5320326010P		Plastic bearing	2	
9	HQ000100010		Left drive pinion	1	
10	1401025015		O-sealing ring	2	
11	HQ000100030		One-way telescopic pin	6	
12	HQ000100040		spring for One-way telescopic pin	6	
13	HQ000100050		One-way seat	2	
14	HQ000100060		Pin for one-way seat	2	
15	BC45TE03000C3		Dust cover	2	
16	1001012000		Circilp - M12	2	
17	5310213010		Bearing	2	
18	5320324021/02		Left bearing seat	1	
19	1001020000		Circilp - M20	2	
20	BC45BE02000B1/02		Spacer bush for transmission	1	
21	5320328010		Bearing	2	
22	5320324022		Bearing base	2	
23	R8-2RS		Bearing	2	
24	5320114020/02		Upper bearing base	2	
25	0102006012		Bolt - M6*12	4	
26	5320324023		Cap for bearing base	2	
27	0302005000		Spring washer - M5	4	
28	0123005020		Screw - M5*20	4	
29	BC53AE01000		Transmission assembly	1	
30	HQ000100020		Right drive pinion	1	
31	5320325021/02		Right bearing sleeve	1	
32	HQA02000002		Check ring	2	
33	BC53AE02000		Universal drive shaft	1	
34	HQA020000090		Pin	2	
35	BC53AE03000/01		Rear axle	1	
36	BC45BD11000B1/01		leaf spring for regulating handle	1	
37	0104006014		Screw - M6*14	3	
38	5360310010/40		Regulating handle lever	1	
39	0202006000		Nylon lock nut - M6	3	
40	0113005008		Screw - M5*8	3	
41	BC45TE07000		Transmission end cover	1	
42	BC53AE04000		Corrugated pipe	1	
43	BC45TE09000		Bearing seat cover	1	
44	140101200P6		O-sealing ring 12X0,6	2	

5	Part5 Universal Wheel Spare Parts Price List				
Order	Part Number	Name	Name_English	Quantity	Remarks
1	3486001402		Dust cover	1	
2	0202010000		Nylon lock nut - M10	1	
3	0302010000		Big flat washer - φ10	1	
4	30202		Bearing 30202	1	
5	1413000144		Wheel bracket	1	
6	0102006016		Bolt - M6*16	1	
7	0202006000		Lock nut - M6	2	
8	GT68WD18000/01		Front wheel locking tab	1	
9	32004		Bearing 32004	1	
10	34860008		Oil seal 25x42x7	1	
11	1383002444		Universal wheel bracket	1	
12	13810166		Disc brake mounting bolt	1	
13	GT68WD19000/40		Locking tongue pressing block	1	
14	0202012000		Lock nut - M12	2	
15	0301012000		Flat washer - φ12	2	
16	1383002302		Universal wheel shaft	1	
17	1383002202		Spacer sleeve B for universal wheel	2	
18	1383002102		Universal wheel waterproof cover	2	
19	13830017		Universal wheel	1	
20	0102008025		Bolt - M8*25	4	

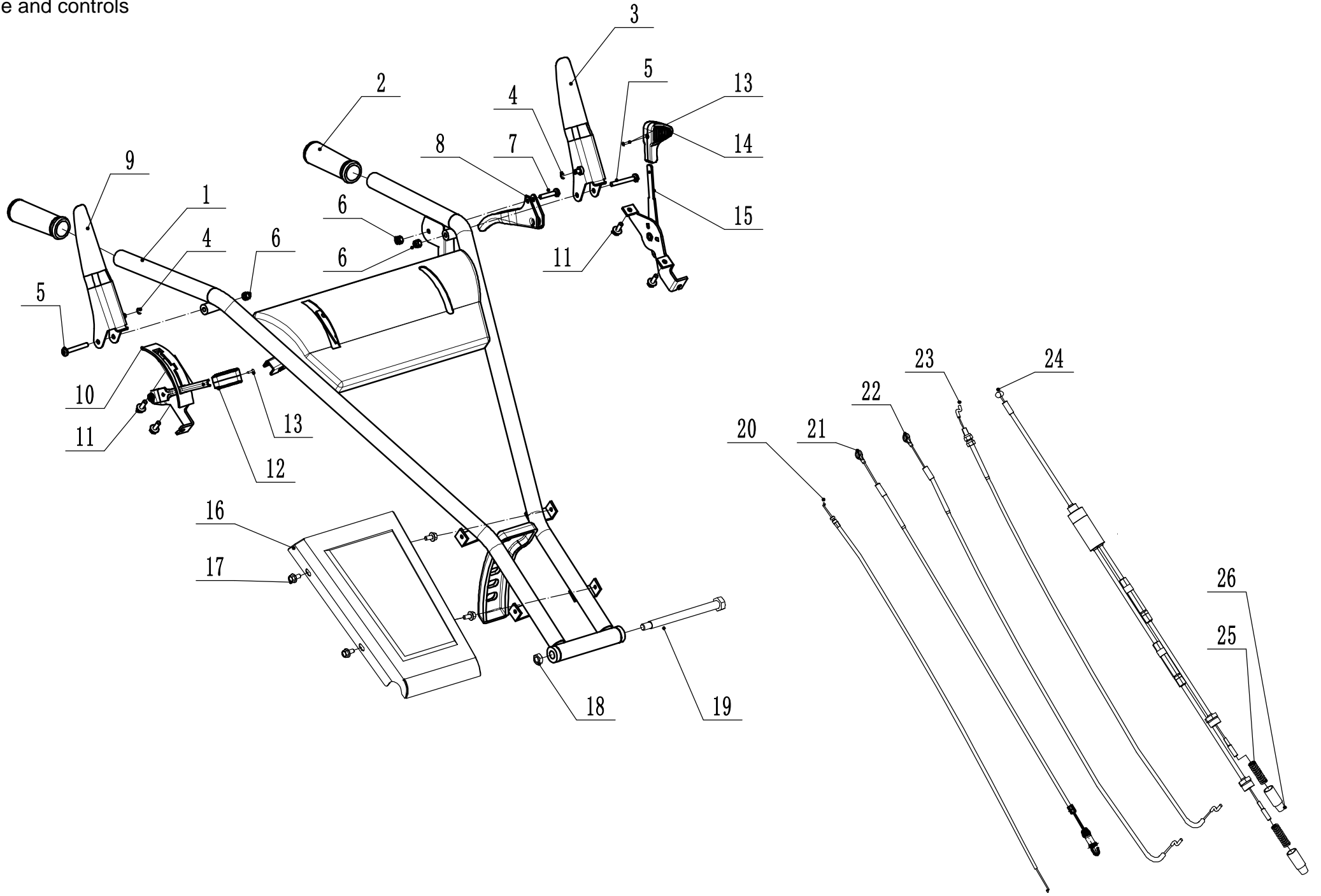
Model: WBBC538SCV  
Service code: WBC538VCLV020B2505  
Main body



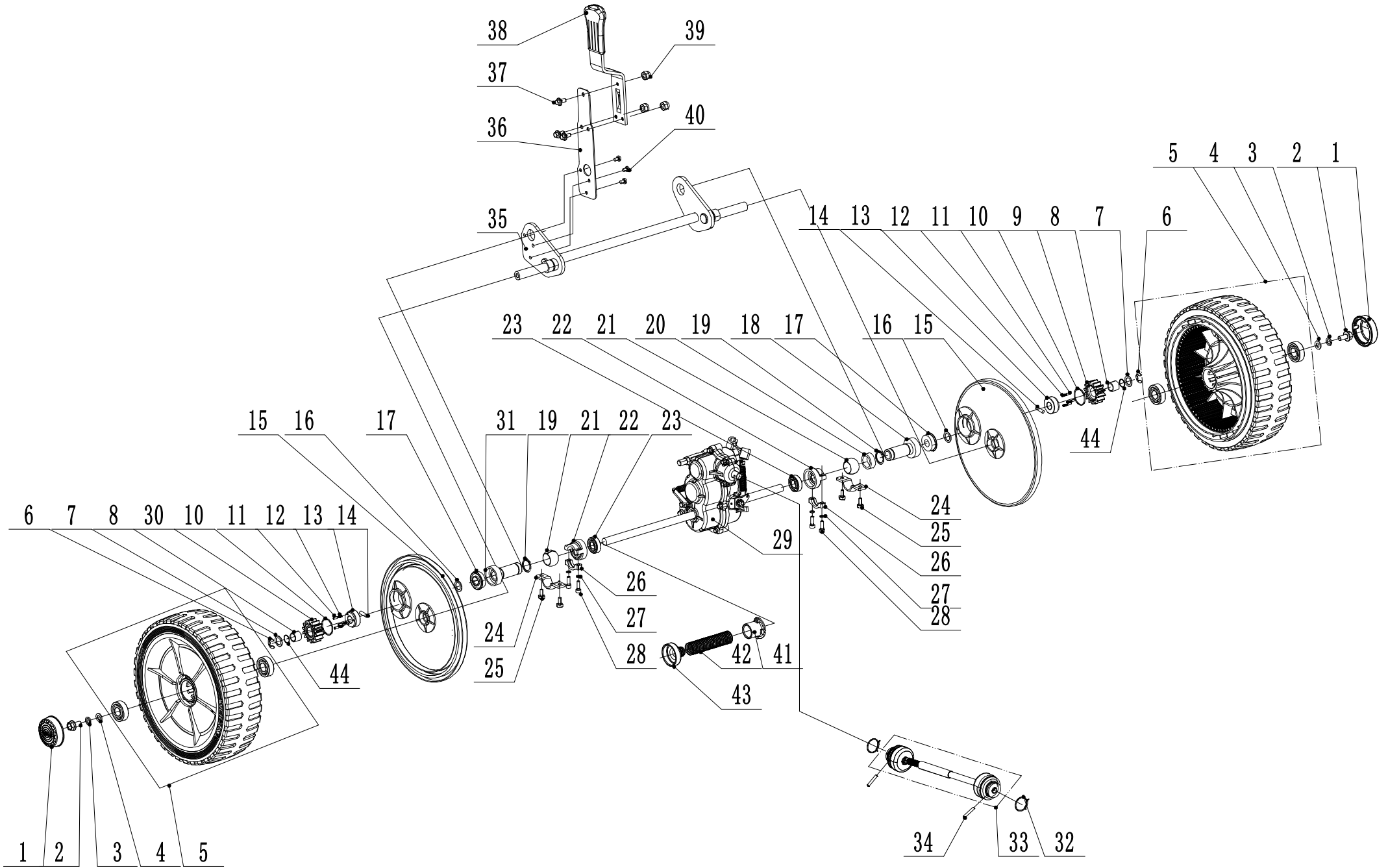
Model: WBBC538SCV  
Service code: WBC538VCLV020B2505  
Blade system



Model: WBBC538SCV  
Service code: WBC538VCLV020B2505  
Handle and controls



Model: WBBC538SCV  
Service code: WBC538VCLV020B2505  
Rear axle



Model: WBBC538SCV  
Service code: WBC538VCLV020B2505  
Universal wheel

