

(Note vulnerable properties: Refers to the degree of wear and tear in the day-to-day operation of the correct use of this part which according to guide customers reasonable reserves.A for wear and tear easily, B for wear and tear is not easy while C for wear and tear on behalf of the non-basic.The part of A proposal by the highest parts inventory reserves; B for stocking pieces according to the minimum reserves and C to make few reserves)

model:LC1P75F		Status Code: L 3372	Code Number:T450020001-0000000		LC/LT - 2025 - A	
(Cylinder head)						
No.	Part No.	Description		Reqd. QTY.	CONSUMABLE GRADE	
1	380140013-0005	Hexagon bolt with flange	GB/T 5789_M6 L=16;镀蓝白锌Q16	1	C	
2	120230152-0001	Cylinder head cover	T450 2# 铝合金;	1	C	
3	120250059-0001	Gasket for cylinder head cover	T450 不含石棉纸垫;	1	A	
4	140450022-0001	Valve rocker combination	T040; 含Hg/Cr6/Pb/PBB/PBDE≤1000ppm, Cd≤100ppm	2	B	
5	140710015-0001	Plate, push rod guide	T450; 镀蓝白锌Q16	1	B	
6	140380020-0001	Retainer, valve spring	T320 排气门用, 外径21.3, 总高5;	2	B	
7	140340039-0001	Inner spring of valve	T322 7圈, 外径20.8, 高34.5; 含Hg/Cr6/Pb/PBB/PBDE≤1000p	2	B	
8	500550076-0001	Valve Kit	T450 排气门不堆焊;	1	B	
9	140670032-0001	Push rod	T350 长140 整体实芯;	2	B	
10	140690002-0001	Lifter, Valve	T040; 含Hg/Cr6/Pb/PBB/PBDE≤1000ppm, Cd≤100ppm	2	B	
11	270960046-0001	Spark plug	RN9YC;	1	A	
12	380140339-0001	Hexagon bolt with flange	T320 M8 L=50; 镀蓝白锌Q16	7	C	
13	140400016-0001	Valve oil seal	T05K; 满足REACH要求	1	B	
14	120080609-0002	Cylinder head	T450; 通机规格变更号TJ-GGBG 201806210002, 增加一个缸头	1	B	
15	120150211-0002	Gasket for cylinder head	T450 石墨; 通机规格变更号TJ-GGBG 201806210002, 增加一	1	A	
16	380600117-0001	ocation pin	T040 d=10 L=14;	2	C	
17	380180114-0001	Stud	T300 M6 L=84; 镀蓝白锌Q16	2	C	
18	270920696-0001	COIL ASSY., IGNITION	T450_9# 抗干扰, 带5kΩ金属屏蔽帽 配制动器用; 熄火线长2	1	A	
19	380140103-0004	Hexagon bolt with flange	GB/T 5789_M6 L=25; 镀蓝白锌Q16	1	C	
(Crankcase body)						
No.	Part No.	Description		Reqd. QTY.	CONSUMABLE GRADE	
1	110810612-0001	Crankcase body	T450 T45001款_双平衡轴用;	1	B	
2	380650335-0001	Oil seal	T320 d=25 D=38 b=7_丁晴橡胶; 黑色 满足REACH要求	1	B	
3	293030019-0001	Engine brake	T450 普通状态; 满足REACH要求	1	B	
4	380140077-0005	Hexagon bolt with flange	GB/T 5789_M6 L=20; 镀蓝白锌Q16	1	C	
5	381140580-0001	Tension spring	T450 制动器弹簧_18.5圈, 总长48;	1	A	
6	380822372-0001	Bushing	T320 外径10(带Φ16.5台阶)_内径7_长12 风扇罩衬套_T型;	1	C	
7	110690162-0001	Oil rule combination	T450 机油尺_T45001款, 带密封圈, 加油管; 满足REACH要求	1	B	
8	380140100-0003	Hexagon bolt with flange	GB/T 5789_M6 L=35; 镀蓝白锌Q16	1	C	
9	160200068-0002	Side plate	T450 塑料; 技术通知单第JS-2021-0084号 满足REACH要求	1	C	
10	380140067-0003	Hexagon bolt with flange	GB/T 5789_M6 L=12; 镀蓝白锌Q16	2	C	
11	110840041-0001	CAP, BREATHER CHAMBER	T327;	1	C	
12	110850030-0002	PACKING, BREATHER CHAMBER	T327; 通机变更单号TJGGG2020006_满足REACH要求	1	A	
13	380140039-0003	Hexagon bolt with flange	GB/T 5789_M6 L=8; 镀蓝白锌Q16	1	C	
14	140250032-0001	Leaf valve	TE53;	1	B	
(Crankcase cover)						
No.	Part No.	Description		Reqd. QTY.	CONSUMABLE GRADE	
1	380600120-0001	ocation pin	T040 d=8 L=14;	2	C	
2	110820429-0001	Crankcase cover	T450_双平衡轴用_压力润滑_235° C时效;	1	C	
3	150350037-0001	Oil filter	T430 短款;	1	B	
4	150840002-0002	Oil filter Mounting bolts	T381;	1	C	
5	380650347-0001	Oil seal	T320 d=25 D=41.25 b=6_丙烯酸酯CII; 满足REACH要求	1	A	
6	380140067-0003	Hexagon bolt with flange	GB/T 5789_M6 L=12; 镀蓝白锌Q16	1	C	
7	150340029-0001	Cover, Oil Strainer	T450;	1	C	
8	150290028-0001	Engine oil Strainer	T470;	1	A	
9	380451035-0001	Flat washer	T350_内径10.2_外径20_厚度1; 氧化Q07	1	C	
10	381350020-0001	Pin clip	T340 输出轴用;	1	A	
11	196150005-0001	worm gear	T350 22齿;	1	B	
12	380451036-0001	Flat washer	T350_内径12.2_外径20_厚度1; 氧化Q07	1	C	
13	193050027-0001	Output shaft	T350 输出端孔径Φ4(0/+0.1);	1	B	
14	380650666-0001	Oil seal	T350 d=12 D=20 b=5; 满足REACH要求	1	A	
15	380450514-0001	Flat washer	T040_T21_内径10_外径16_厚度1.5_铝及铝合金;	1	C	
16	292980356-0001	tube comp.	TE27_含机油放油管、密封螺塞、管夹_长200; 打刻"FOR OIL	1	B	
17	150010182-0001	Components of oil pump	T450 圆柱销型;	1	B	

18	380140005-0006		Hexagon bolt with flange	GB/T 16674.1_M8_L=40;镀蓝白锌Q16	8	C
19	380841739-0001		Seal ring	T450_氟橡胶;	1	A
20	150040097-0001		Oil pump cover	T450;	1	C
21	380140013-0005		Hexagon bolt with flange	GB/T 5789_M6_L=16;镀蓝白锌Q16	3	C
22	380140077-0005		Hexagon bolt with flange	GB/T 5789_M6_L=20;镀蓝白锌Q16	1	C
23	174280009-0001		Components of governor gear	T350_飞块重4.4g;	1	B
24	380600121-0001		ocation pin	T041_d=8_L=10;	2	C

(Crankshaft)

No.	Part No.		Description		Reqd. QTY.	CONSUMABLE GRADE
1	130070158-0001		Piston ring combination	T250_一环槽宽1.0mm,二环槽宽1.2mm;	1	A
2	130030245-0001		Piston	T450_平顶,一环槽宽1mm,二环槽宽1.2mm,油环槽宽2mm;	1	A
3	130060031-0001		Piston pin	T040_φ18×54;含Hg/Cr6/Pb/PBB/PBDE≤1000ppm,Cd≤100p	1	B
4	380560056-0001		Steel cable baffle ring	T040_活塞销挡圈;	2	B
5	130150181-0001		Connecting rod	T330_3#_中心距87_工艺连杆螺栓;工艺螺栓镀蓝白锌Q16	1	B
6	130180030-0001		Connecting rod bolt	T330_M7×32;预涂胶	2	C
7	140020366-0001		Camshaft assy	T450_T45001款,全金属,带蜗杆;	1	B
8	130290905-0001		crankshaft	T450_C1轴_40Cr_45001款,箱盖高度46mm_有平衡轴状态;	1	B
9	380630137-0002		Bearing	GB/T 276_6205;	1	B
10	380450518-0001		Flat washer	T320_T21_内径25.4_外径34_厚度1;氧化Q07	1	C
11	380630026-0001		Bearing	GB/T 276_16003;	2	B
12	130450105-0001		Balancing shaft	T450_T45001,B款;	1	B
13	130450109-0001		Balancing shaft	T450_斜齿;	1	B
14	380450560-0001		Flat washer	T370_内径17.4_外径30_厚度1.5;氧化Q07	1	C
15	380451734-0001		Flat washer	T450_内径23.5_外径35_厚度1.5_65Mn;氧化Q07	1	C

(STARTER)

No.	Part No.		Description		Reqd. QTY.	CONSUMABLE GRADE
1	270020254-0001		FLYWHEEL COMP	T352_电起动用_铝飞轮,带叶轮;	1	B
2	193590017-0001		Starting disc	T150;	1	C
3	380370051-0001		Hexagon nut with flange	T040_M14×1.5;镀蓝白锌Q16	1	C
4	380850047-0001		Stay stud	T450_M6_L=90_中间长度49,圆盘头端螺纹中径加大5.35(0.0	2	C
5	380850002-0001		Stay stud	T320_M6_L=78.5_中间长度33.5,圆盘头端螺纹中径加大5.35	1	C
6	160210304-0001		Fan cover comp.	T450_45002款;维邦专用_本色黑6#Q80	1	B
7	193500248-0001		Manual starting components	T450_金属外壳_7#手柄_45002款_铁棘爪;4#亚光黑HOB_维邦	1	B
8	380330056-0001		Cap nut	T07D_法兰面_M6,有效螺纹深度为9;镀黑锌Q10	3	C

(Carburetor)

No.	Part No.		Description		Reqd. QTY.	CONSUMABLE GRADE
1	170430174-0001		Carburetor gasket	T450_厚0.5_不含石棉_进气管密封垫;	1	A
2	170440090-0001		Heat insulating pad for carburetor	T450_厚12_隔热块;满足REACH要求	1	B
3	170430147-0001		Carburetor gasket	T320_厚0.5_无石棉,BNS-JM101_化油器与隔热垫之间的密封	2	A
4	170450007-0001		Heat insulating plate for carburetor	T450_钢架混压无石棉复合板;	1	A
5	380180093-0001		Stud	T040_M6_L=113;镀蓝白锌Q16	2	C
6	170022142-0002		Carburetor	T450_自动阻风门_欧V_防篡改,金属阻风门轴_喉口直径φ1	1	B
7	170430177-0001		Carburetor gasket	T450_氟橡胶_空滤器垫;红色_满足REACH要求	1	A

(Air filter)

No.	Part No.		Description		Reqd. QTY.	CONSUMABLE GRADE
1	180020744-0002		Air filter	T450;满足REACH要求	1	B
2	181950006-0001		Bolt handle	T381;	1	B
3	180070228-0001		Air filter casing cover	T450;	1	B
4	180100096-0001		Air filter element combination	450;	1	A
5	180280029-0001		Air filter seat	T04F;	1	B
6	380741886-0001		Breather tube	T450_T45001款_异型_丁腈橡胶_废气管;	1	A
7	380370066-0001		Hexagon nut with flange	GB/T 6177.1_不带防滑齿_M6;镀蓝白锌Q16	2	C

(Control)

No.	Part No.		Description		数量	易损属性
					Reqd. QTY.	CONSUMABLE GRADE
1	171590068-0001		Throttle rod	T450_T45001款,长217,杆径φ2.5;镀蓝白锌Q16	1	B
2	171610031-0001		throttle return spring	T450_2#,长196;	1	A
3	171600080-0001		Governing spring	T450_10圈,簧径0.8,长58;	1	A
4	171620016-0003		Speed regulating bracket	T330;带方头平端紧定螺钉/六角法兰面螺母_不带防滑齿_镀	1	C
5	171680146-0001		Throttle handle combination	T350_3#,可带熄火开关;镀蓝白锌Q16	1	B

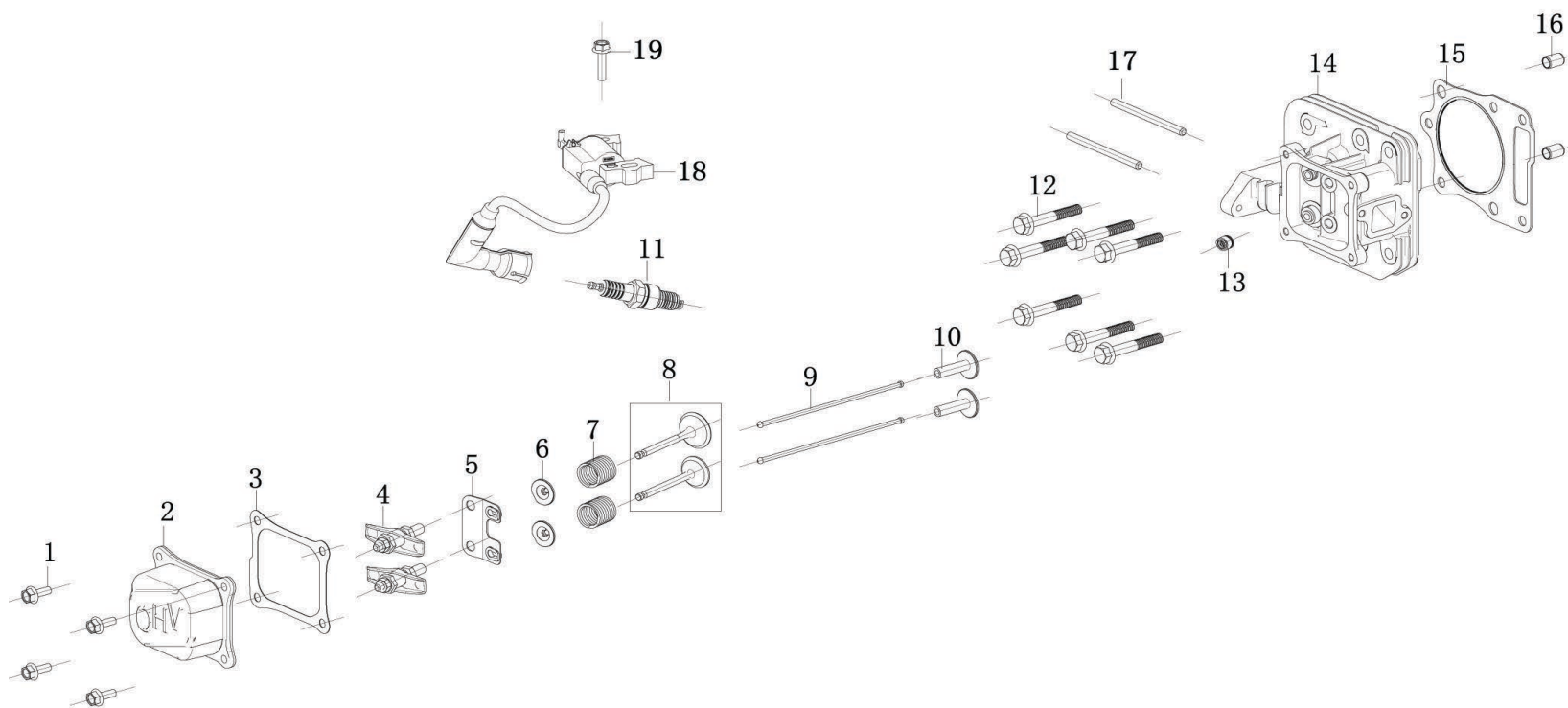
6	380850048-0001		Stay stud	T450_M6_35钢_中间长度33.5,圆盘头端螺纹中径加大5.35(0	1	C
7	171740011-0001		Guard plate for throttle combination	T450;本色黑6#Q80	1	B
8	380020070-0001		Hexagon shaft shoulder bolt	T370_M6×16.5(Φ8×3.5);镀蓝白锌Q16	2	C
9	380140013-0005		Hexagon bolt with flange	GB/T_5789_M6_L=16;镀蓝白锌Q16	1	C
10	381350004-0001		Pin clip	T040_调速臂用;	1	B
11	380650338-0001		Oil seal	T320_d=6_D=11_b=4;满足REACH要求	1	A
12	380450527-0001		Flat washer	T05K_T21_内径6_外径13_厚度1_65Mn;氧化Q07	1	C
13	171630042-0001		Speed regulating arm	T450_T45001款,Z型;表面抛光	1	B

(Muffler)

No.	Part No.	Description		数量	易损属性
				Reqd. QTY.	CONSUMABLE GRADE
1	173090001-0001	Locker of choke valve pull rod	T240 锁夹 I 电机用;满足REACH要求	1	A
2	171650034-0001	Choke valve pull rod	T450 自动阻风门状态 长拉杆,杆径2,长199;	1	B
3	380370048-0001	Hexagon nut with flange	GB/T_6177.1_M6;镀蓝白锌Q16	2	C
4	180572898-0001	Muffler	T450_T45002款_带护罩_带温度传感器状态;	1	B
5	180660081-0001	Muffler gasket	T450;	1	A

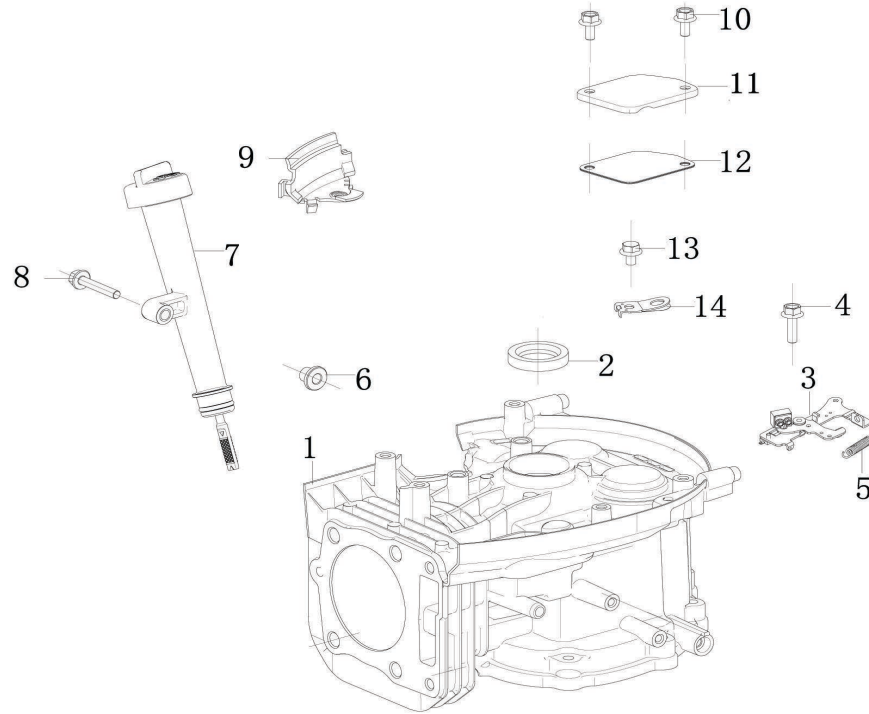
(Fuel Tank)

No.	Part No.	Description		数量	易损属性
				Reqd. QTY.	CONSUMABLE GRADE
1	380900062-0001	Strap	T561 L=100 固定电缆用;满足REACH要求	2	A
2	170490495-0001	Tank	T450_T45002款_维邦专用_带油箱盖_4L;	1	B
3	170870228-0001	Tank cover	T450_无通气孔,密封且带连接链;	1	B
4	380750558-0001	Oil tube	T330_内径6.35_外径12.7_长315_防渗透_CARD状态;满足REA	1	A
5	380960120-0004	Clip combination	T040_Φ12_钢带;达克罗Q19_满足REACH要求	2	A
6	170010069-0001	Fuel filter	T350_3#_300目;满足REACH要求_黑色	1	A
7	380930092-0001	Location wire nail	T253_燕尾卡,内径Φ13;	1	A
8	380140013-0005	Hexagon bolt with flange	GB/T_5789_M6_L=16;镀蓝白锌Q16	5	C
9	170650092-0001	Tank bracket	T450_T45002款;	1	C



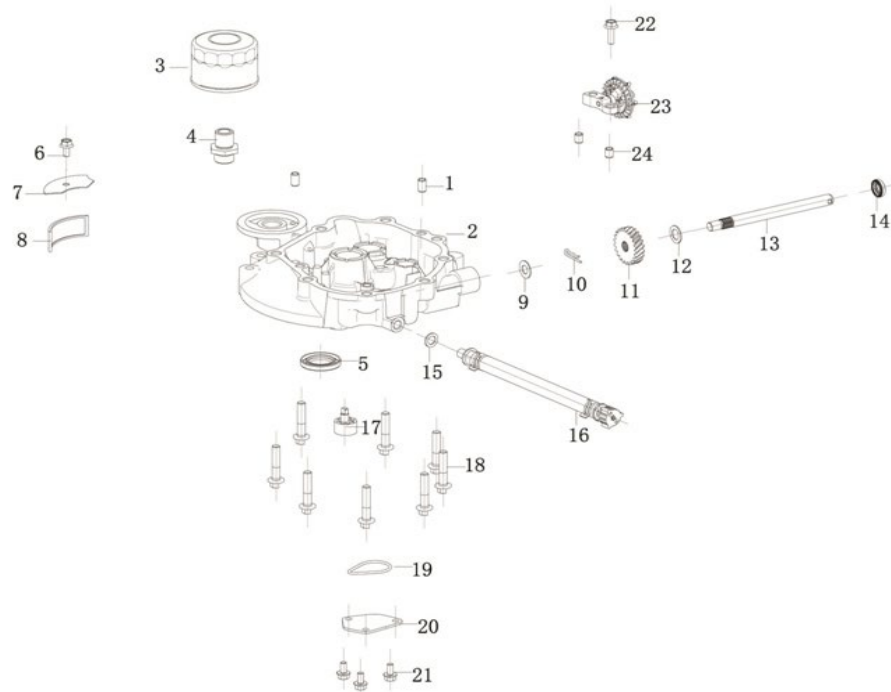
气缸头 (Cylinder head)

No.	Part No.	Description		Reqd. QTY	CONSUMABLE GRADE
1	380140013-0005	Hexagon bolt with flange	GB/T 5789_M6_L=16; 镀蓝白锌Q16	1	C
2	120230152-0001	Cylinder head cover	T450_2#_铝合金;	1	C
3	120250059-0001	Gasket for cylinder head cover	T450_不含石棉纸垫;	1	A
4	140450022-0001	Valve rocker combination	T040; 含Hg/Cr6/Pb/PBB/PBDE≤1000ppm, Cd≤100ppm	2	B
5	140710015-0001	Plate, push rod guide	T450; 镀蓝白锌Q16	1	B
6	140380020-0001	Retainer, valve spring	T320_排气门用, 外径21.3, 总高5;	2	B
7	140340039-0001	Inner spring of valve	T322_7圈, 外径20.8, 高34.5; 含Hg/Cr6/Pb/PBB/PBDE≤1000ppm	2	B
8	500550076-0001	Valve Kit	T450_排气门不堆焊;	1	B
9	140670032-0001	Push rod	T350_长140_整体实芯;	2	B
10	140690002-0001	Lifter, Valve	T040; 含Hg/Cr6/Pb/PBB/PBDE≤1000ppm, Cd≤100ppm	2	B
11	270960046-0001	Spark plug	RN9YC;	1	A
12	380140339-0001	Hexagon bolt with flange	T320_M8_L=50; 镀蓝白锌Q16	7	C
13	140400016-0001	Valve oil seal	T05K; 满足REACH要求	1	B
14	120080609-0002	Cylinder head	T450; 通机规格变更号TJ-GGBG 201806210002, 增加一个缸头	1	B
15	120150211-0002	Gasket for cylinder head	T450_石墨; 通机规格变更号TJ-GGBG 201806210002, 增加一	1	A
16	380600117-0001	ocation pin	T040_d=10_L=14;	2	C
17	380180114-0001	Stud	T300_M6_L=84; 镀蓝白锌Q16	2	C
18	270920696-0001	COIL ASSY., IGNNTION	T450_9#_抗干扰, 带5kΩ金属屏蔽帽_配制动器用; 熄火线长2	1	A
19	380140103-0004	Hexagon bolt with flange	GB/T 5789_M6_L=25; 镀蓝白锌Q16	1	C



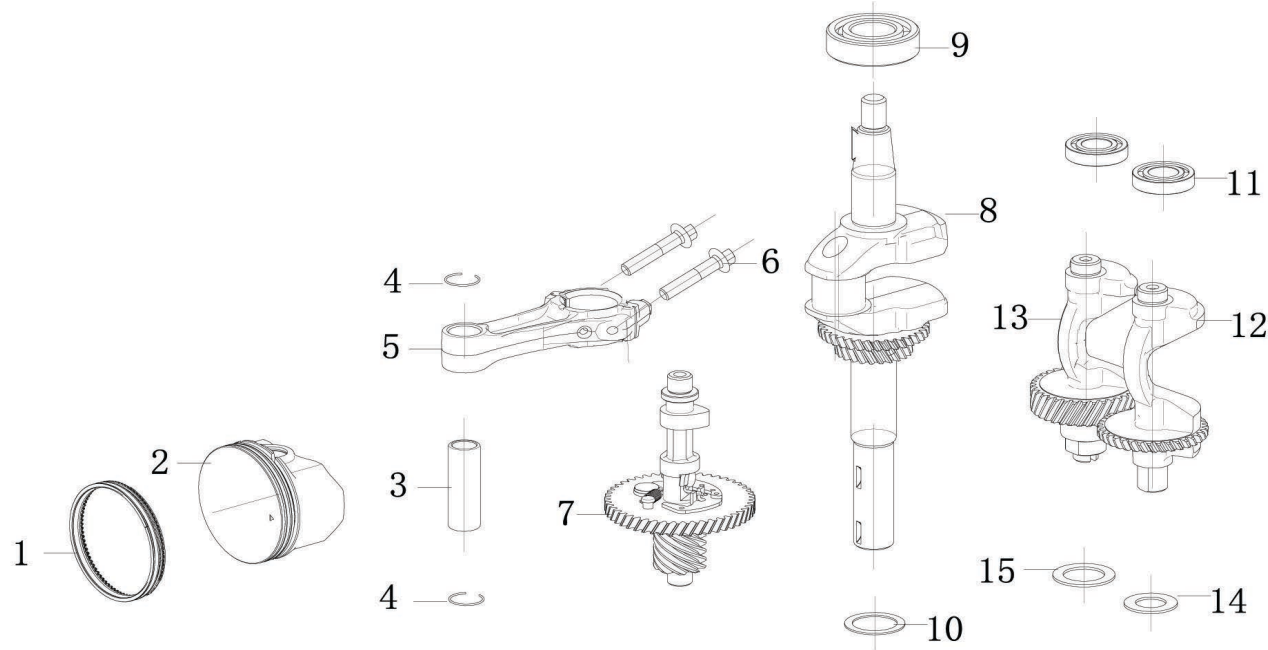
箱体 (Crankcase body)

No.	Part No.	Description		Reqd. QTY.	CONSUMABLE GRADE
1	110810612-0001	Crankcase body	T450_T45001款_双平衡轴用;	1	B
2	380650335-0001	Oil seal	T320_d=25_D=38_b=7_丁晴橡胶;黑色_满足REACH要求	1	B
3	293030019-0001	Engine brake	T450_普通状态;满足REACH要求	1	B
4	380140077-0005	Hexagon bolt with flange	GB/T 5789_M6_L=20;镀蓝白锌Q16	1	C
5	381140580-0001	Tension spring	T450_制动器弹簧_18.5圈,总长48;	1	A
6	380822372-0001	Bushing	T320_外径10(带Φ16.5台阶)_内径7_长12_风	1	C
7	110690162-0001	Oil rule combination	T450_机油尺_T45001款,带密封圈,加油管;满	1	B
8	380140100-0003	Hexagon bolt with flange	GB/T 5789_M6_L=35;镀蓝白锌Q16	1	C
9	160200068-0002	Side plate	T450_塑料;技术通知单第JS-2021-0084号_满	1	C
10	380140067-0003	Hexagon bolt with flange	GB/T 5789_M6_L=12;镀蓝白锌Q16	2	C
11	110840041-0001	CAP, BREATHER CHAMBER	T327;	1	C
12	110850030-0002	PACKING, BREATHER CHAMBER	T327;通机变更单号TJGGBG2020006_满足REACH	1	A
13	380140039-0003	Hexagon bolt with flange	GB/T 5789_M6_L=8;镀蓝白锌Q16	1	C
14	140250032-0001	Leaf valve	TE53;	1	B



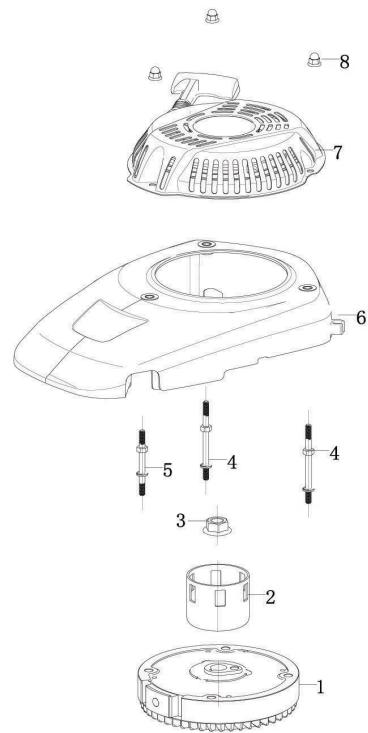
(Crankcase cover)

No.	Part No.	Description		Reqd. QTY.	CONSUMABLE GRADE
1	380600120-0001	ocation pin	T040 d=8 L=14;	2	C
2	110820429-0001	Crankcase cover	T450 双平衡轴用 压力润滑 235° C时效;	1	C
3	150350037-0001	Oil filter	T430 短款;	1	B
4	150840002-0002	Oil filter Mounting bolts	T381;	1	C
5	380650347-0001	Oil seal	T320 d=25 D=41.25 b=6 丙烯酸脂CII;满足REACH要求	1	A
6	380140067-0003	Hexagon bolt with flange	GB/T 5789 M6 L=12;镀蓝白锌Q16	1	C
7	150340029-0001	Cover,Oil Strainer	T450;	1	C
8	150290028-0001	Engine oil Strainer	T470;	1	A
9	380451035-0001	Flat washer	T350 内径10.2 外径20 厚度1;氧化Q07	1	C
10	381350020-0001	Pin clip	T340 输出轴用;	1	A
11	196150005-0001	worm gear	T350 22齿;	1	B
12	380451036-0001	Flat washer	T350 内径12.2 外径20 厚度1;氧化Q07	1	C
13	193050027-0001	Output shaft	T350 输出端孔径Φ4(0/+0.1);	1	B
14	380650666-0001	Oil seal	T350 d=12 D=20 b=5;满足REACH要求	1	A
15	380450514-0001	Flat washer	T040 T21 内径10 外径16 厚度1.5 铝及铝合金;	1	C
16	292980356-0001	tube comp.	TE27 含机油放油管、密封螺塞、管夹 长200;打刻"FOR OIL"	1	B
17	150010182-0001	Components of oil pump	T450 圆柱销型;	1	B
18	380140005-0006	Hexagon bolt with flange	GB/T 16674.1 M8 L=40;镀蓝白锌Q16	8	C
19	380841739-0001	Seal ring	T450 氟橡胶;	1	A
20	150040097-0001	Oil pump cover	T450;	1	C
21	380140013-0005	Hexagon bolt with flange	GB/T 5789 M6 L=16;镀蓝白锌Q16	3	C
22	380140077-0005	Hexagon bolt with flange	GB/T 5789 M6 L=20;镀蓝白锌Q16	1	C
23	174280009-0001	Components of governor gear	T350 飞块重4.4g;	1	B
24	380600121-0001	ocation pin	T041 d=8 L=10;	2	C



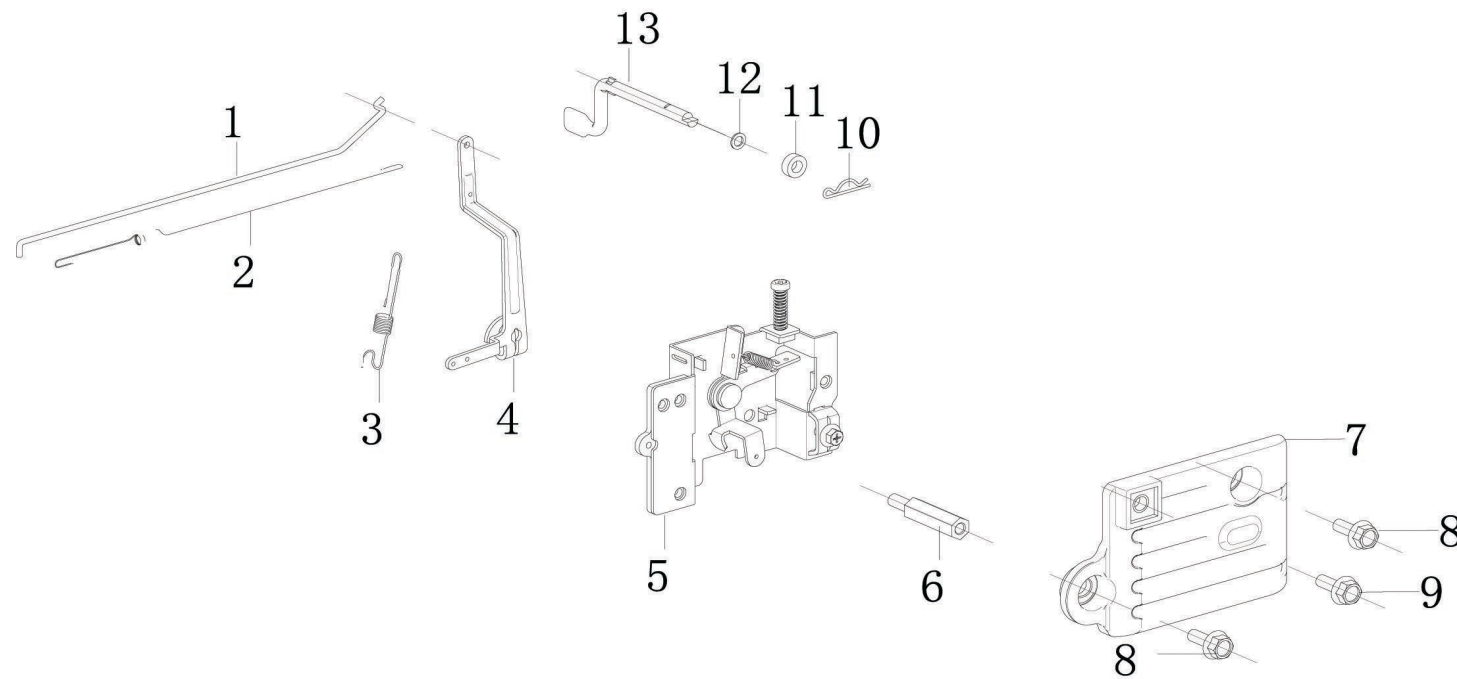
(Crankshaft)

No.	Part No.	Description		Reqd. QTY.	CONSUMABLE GRADE
1	130070158-0001	Piston ring combination	T250_一环槽宽1.0mm, 二环槽宽1.2mm;	1	A
2	130030245-0001	Piston	T450_平顶, 一环槽宽1mm, 二环槽宽1.2mm, 油环槽宽2mm;	1	A
3	130060031-0001	Piston pin	T040 $\phi 18 \times 54$; 含Hg/Cr6/Pb/PBB/PBDE ≤ 1000 ppm, Cd ≤ 100 ppm	1	B
4	380560056-0001	Steel cable baffle ring	T040 活塞销挡圈;	2	B
5	130150181-0001	Connecting rod	T330 3# 中心距87 工艺连杆螺栓; 工艺螺栓镀蓝白锌Q16	1	B
6	130180030-0001	Connecting rod bolt	T330 M7 \times 32; 预涂胶	2	C
7	140020366-0001	Camshaft assy	T450 T45001款, 全金属, 带蜗杆;	1	B
8	130290905-0001	crankshaft	T450 C1轴 40Cr 45001款, 箱盖高度46mm 有平衡轴状态;	1	B
9	380630137-0002	Bearing	GB/T 276 6205;	1	B
10	380450518-0001	Flat washer	T320 T21 内径25.4 外径34 厚度1; 氧化Q07	1	C
11	380630026-0001	Bearing	GB/T 276 16003;	2	B
12	130450105-0001	Balancing shaft	T450_T45001, B款;	1	B
13	130450109-0001	Balancing shaft	T450 斜齿;	1	B
14	380450560-0001	Flat washer	T370 内径17.4 外径30 厚度1.5; 氧化Q07	1	C
15	380451734-0001	Flat washer	T450 内径23.5 外径35 厚度1.5 65Mn; 氧化Q07	1	C



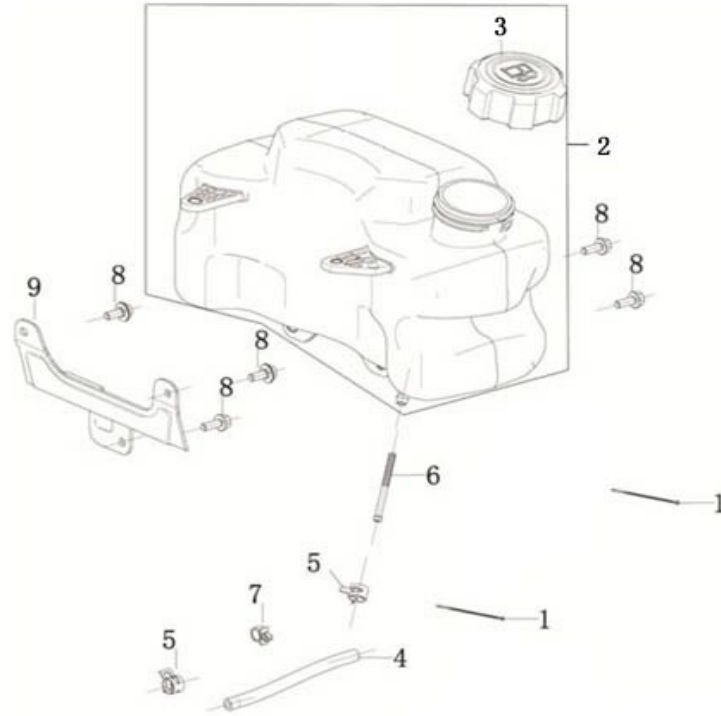
(STARTER)

No.	Part No.	Description		Reqd. QTY.	CONSUMABLE GRADE
1	270020254-0001	FLYWHEEL COMP	T352 电起动用 铝飞轮, 带叶轮;	1	B
2	193590017-0001	Starting disc	T150;	1	C
3	380370051-0001	Hexagon nut with flange	T040 M14×1.5; 镀蓝白锌Q16	1	C
4	380850047-0001	Stay stud	T450 M6 L=90 中间长度49, 圆盘头端螺纹中径加大5.35(0.05/0);	2	C
5	380850002-0001	Stay stud	T320 M6 L=78.5 中间长度33.5, 圆盘头端螺纹中径加大5.35(0.05/0); 镀蓝白锌Q16	1	C
6	160210304-0001	Fan cover comp.	T450 45002款; 维邦专用 本色黑6#Q80	1	B
7	193500248-0001	Manual starting components	T450 金属外壳 7#手柄 45002款 铁棘爪; 4#亚光黑H0B 维邦专用	1	B
8	380330056-0001	Cap nut	T07D 法兰面 M6, 有效螺纹深度为9; 镀黑锌Q10	3	C



(Control)

No.	Part No.	Description		Reqd. QTY.	CONSUMABLE GRADE
1	171590068-0001	Throttle rod	T450 T45001款, 长217, 杆径Φ2.5; 镀蓝白锌Q16	1	B
2	171610031-0001	throttle return spring	T450 2#, 长196;	1	A
3	171600080-0001	Governing spring	T450 10圈, 簧径0.8, 长58;	1	A
4	171620016-0003	Speed regulating bracket	T330; 带方头平端紧定螺钉/六角法兰面螺母 不带防滑齿 镀蓝白锌Q16	1	C
5	171680146-0001	Throttle handle combination	T350 3#, 可带熄火开关; 镀蓝白锌Q16	1	B
6	380850048-0001	Stay stud	T450 M6 35钢 中间长度33.5, 圆盘头端螺纹中径加大5.35(0.05/0);	1	C
7	171740011-0001	Guard plate for throttle combination	T450; 本色黑6#Q80	1	B
8	380020070-0001	Hexagon shaft shoulder bolt	T370 M6×16.5(Φ8×3.5); 镀蓝白锌Q16	2	C
9	380140013-0005	Hexagon bolt with flange	GB/T 5789 M6 L=16; 镀蓝白锌Q16	1	C
10	381350004-0001	Pin clip	T040 调速臂用;	1	B
11	380650338-0001	Oil seal	T320 d=6 D=11 b=4; 满足REACH要求	1	A
12	380450527-0001	Flat washer	T05K T21 内径6 外径13 厚度1 65Mn; 氧化Q07	1	C
13	171630042-0001	Speed regulating arm	T450 T45001款, Z型; 表面抛光	1	B



(Fuel Tank)

No.	Part No.	Description			
				Reqd. QTY.	CONSUMABLE GRADE
1	380900062-0001	Strap	T561 L=100 固定电缆用;满足REACH要求	2	A
2	170490495-0001	Tank	T450 T45002款 维邦专用 带油箱盖 4L;	1	B
3	170870228-0001	Tank cover	T450 无通气孔,密封且带连接链;	1	B
4	380750558-0001	Oil tube	T330 内径6.35 外径12.7 长315 防渗透 CARB状态;满足REACH	1	A
5	380960120-0004	Clip combination	T040 Φ12 钢带;达克罗Q19 满足REACH要求	2	A
6	170010069-0001	Fuel filter	T350 3# 300目;满足REACH要求 黑色	1	A
7	380930092-0001	Location wire nail	T253 燕尾卡,内径Φ13;	1	A
8	380140013-0005	Hexagon bolt with flange	GB/T 5789 M6 L=16;镀蓝白锌Q16	5	C
9	170650092-0001	Tank bracket	T450 T45002款;	1	C